

# AD.5.L... LEVER OPERATED TYPE VALVES CETOP 5/NG10



1



AD.5.L...

ORDERING CODE CH. I PAGE 30  
STANDARD SPOOLS CH. I PAGE 31

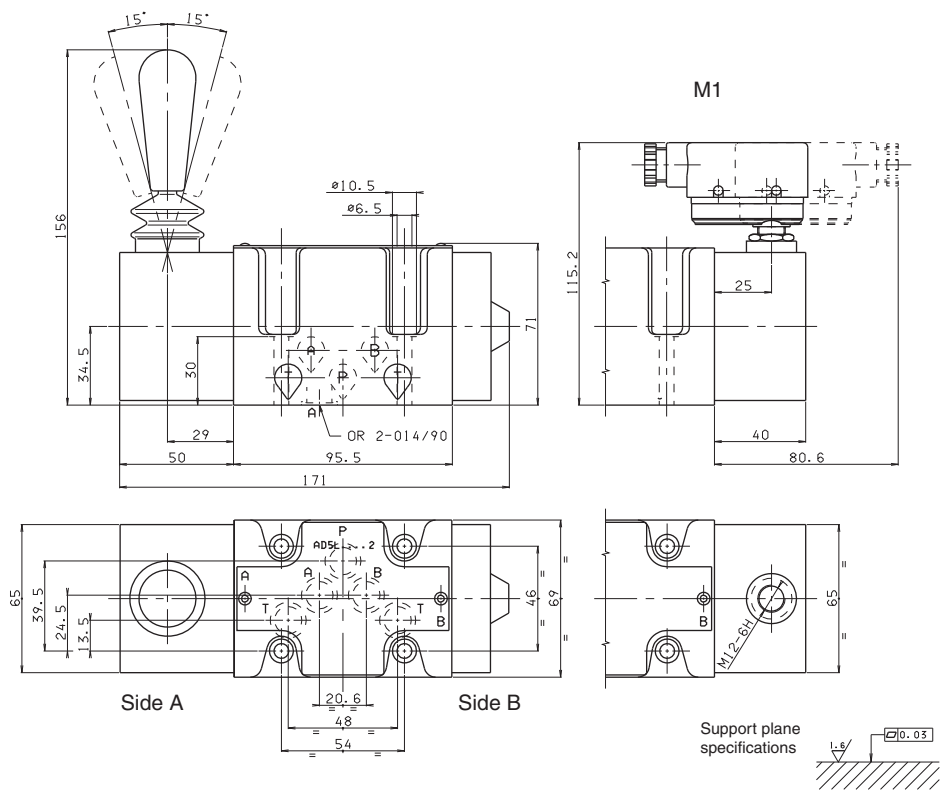
Max. pressure ports P/A/B	320 bar
Max. pressure port T	160 bar
Max. flow	100 l/min
Lever angle	2 x 15°
Fluid viscosity	10 ÷ 500 mm <sup>2</sup> /s
Fluid temperature	-25°C ÷ 75°C
Ambient temperature	-25°C ÷ 60°C
Max. contamination level	class 10 in accordance with NAS 1638 with filter β <sub>25</sub> ≥ 75
Weight	4,7 Kg
Weight with M1 variant	5,35 Kg

- Possible mounting: **C / E / F** (with mounting "F" and spools "15-16-17" the lever is on side "B")
- There is no **D** type mounting
- The variant **D1** specifies the detent (mechanical connection) for lever operation
- The springs for the version with detent (variant **D1**) are different from those for standard versions.

- Completely different spools are used for these (lever operated) valves than for all other types of operation (e.g. electrical, mechanical, pneumatic operation, .....
- Available spools: 01 / 02 / 03 / 04 / 05 / 06 / 66 / 07 / 22 / 13 / 15 / 16 / 17 (for hydraulic symbols see page 1•30)
- Microswitch type AM1107 code V79000001 can be ordered separately.

## OVERALL DIMENSIONS

M1 = Microswitch



Fixing screws UNI 5931 M6x40 with material specifications min. 8.8  
Tightening torque 8 Nm / 0.8 Kgm

1

ORDERING CODE

AD	Directional valve
5	CETOP 5/NG10
*	Type of operator (tab.1)
**	Spools (see tables on page I•31)
*	Mounting type (tab.2)
*	Voltage / Specification (tab.3)
**	Variants (tab.4)
2	Serial No.

TAB.1 - TYPE OF OPERATOR

E	Electrical
D	Direct mechanical
O	Oleo-pneumatic
L	Lever

TAB.2 MOUNTING

STANDARD	
C	
D	
E	
F	
SPECIALS (WITH PRICE INCREASING)	
G	
H	
I	
L	
M	

• Mounting type D is only for valves with detent

• In case of mounting D with detent a maximum supply time of 2 sec is needed (only for AC coils).

• The springs for the version with detent (mounting D) are different from those for standard versions.

TAB.3 - VOLTAGE / SPECIFICATION

Operator	Voltage Specs.	Description	Note
E	A	24V/50Hz	AC Voltage ** (Technical data see page I•36)
	B	48V/50Hz*	
	J	115V/50Hz - 120V/60Hz	
	Y	230V/50Hz - 240V/60Hz	
	E	240V/50Hz*	
	F	24V/60Hz*	
	K	Without AC coils	DC Voltage ** (Technical data see page I•36)
	L	12V	
	M	24V	
	N	48V*	
	P	110V*	
	Z	102V* 115Vac/50Hz 120Vac/60Hz with rectifier	
	X	205V* 230Vac/50Hz 240Vac/60Hz with rectifier	
W	Without DC coils		
D	Z	standard	—
O	Z	standard	—
L	Z	valve with lever	—
	X	valve without lever	—

\* Special voltage

\*\* Voltage codes are not stamped on the plate, their are readable on the coils.

TAB.4 - VARIANTS

VARIANT	CODE	PAGE
No variant (without connectors)	S1(*)	
Viton	SV(*)	
Emergency button	ES(*)	I•36
Preset for microswitch - (E/F/G/H only) see below note ◊	MS(*)	I•32- I•35
Rotary emergency button	P2(*)	I•36
Marine version (AD.5.O..)	H1	
Preset for microswitch + Viton	MV	
Spool movement speed control (VDC only) with ø 0.5 mm diameter orifice	5S(*)	I•33
Spool movement speed control (VDC only) with ø 0.6 mm diameter orifice	6S(*)	I•33
Spool movement speed control (VDC only) with ø 0.7 mm diameter orifice	7S(*)	I•33
Spool movement speed control (VDC only) with ø 0.8 mm diameter orifice	8S(*)	I•33
External draining solenoid (electrically operated only)	S5(*)	I•33
Microswitch+ Detent (for lever operation)	MD	
Detent for lever control	D1	

◊ = Maximum counter-pressure on T port: 4 bar - Microswitch type AM1107 code V79000001 can be ordered separately.

◆ = Variant codes stamped on the plate

(\*) Coils with Hirschmann connection supplied without connectors. The connectors can be ordered separately, ch. I page 20.

TWO SOLENOIDS, SPRING CENTRED "C" MOUNTING			
Spool type		Covering	Transient position
01		+	
02		-	
03		+	
04*		-	
05		+	
66		+	
06		+	
07*		+	
08*		+	
10*		+	
22*		+	
11*		+	
12*		+	
13*		+	
14*		-	
28*		-	

ONE SOLENOID, SIDE A "E" MOUNTING			
Spool type		Covering	Transient position
01		+	
02		-	
03		+	
04*		-	
05		+	
66		+	
06		+	
08*		+	
10*		+	
12*		+	
15		-	
16		+	
17		+	
14*		-	
28*		-	

STANDARD SPOOLS

(\*) Spool with price increasing

• With spools 15 / 16 / 17 only the mounting E / F are possible

• 19 / 20 / 21 spool not planned for AD5.E...J\*

• For lever operated the spools used are different.  
Available spools for this kind of valve see AD5L..

ONE SOLENOID, SIDE B "F" MOUNTING			
Spool type		Covering	Transient position
01		+	
02		-	
03		+	
04*		-	
05		+	
66		+	
06		+	
08*		+	
10*		+	
22*		+	
12*		+	
13*		+	
07*		+	
15		-	
16		+	
17		+	
14*		-	
28*		-	

TWO SOLENOIDS "D" MOUNTING			
Spool type		Covering	Transient position
19*		-	
20*		+	
21*		+	