

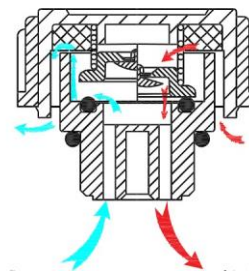
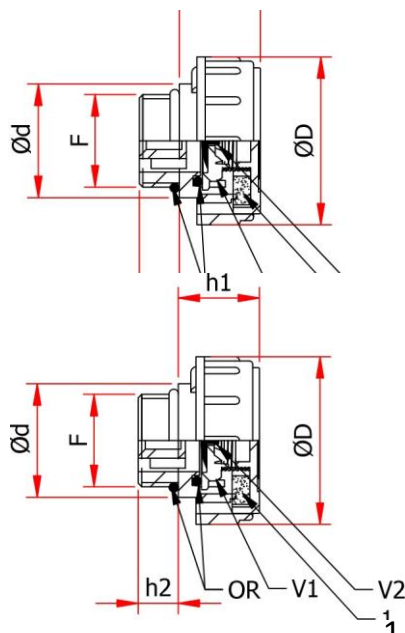
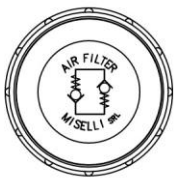
TM DV-DS - PRESSURIZED FILLER BREATHER WITH FILTER

TM DAV-DS - PRESSURIZED FILLER BREATHER WITH FILTER AND DIPSTICK



TMDAV-DS

TMDV-DS



Air outflow

Air inflow

- Cylindrical filler breather with easy grip vertical ribs.
- Standard production: complete black with graphic "double valve" symbol.
- Manufactured from Polyamide 66 ensuring high mechanical resistance at both low and high temperatures (-30°C/-22°F +100°/212 °F).
- O-ring seal 70 Shore durometer, Polyurethane 60PPI air filter located under the cap.
- Internally is placed a double-way valve: the check valve is set around at **0.30 bar/4.3 PSI** (on request **0.10 bar/1.5 PSI**), the suction valve is set around at **8 mbar (0.12 PSI)**.-This model is used on hydraulic applications where the airflow needs to be controlled in both directions, externally when internal overpressure is created and internally when, decreasing the fluid level and the vacuum is created.
- The air filter protects the reservoir from dirt ingress and the safety valve protects from oil spillage in mobile or semimobile hydraulic applications
- The TMDAV-DS model is equipped with a steel level dipstick (diam. 4-5 mm depending on the model) with phosphate surface; on orders that exceed 250 pcs the dipstick can be cut to custom length and notches can be placed to indicate MIN-MAX oil level.
- Metric thread available. M14-M16-M18-M20-M22x1,5.
- Airflow capacity**. up to **750 Lt/min**

					hi	
TMDV/38-DS	TMDAV/38-DS	3/8	41	28	21	11
TMDV/12-DS	TMDAV/12-DS	1/2	41	28	22	12
TMDV/34-DS	TMDAV/34-DS	3/4	47	33	22	12