

PISTON PRESSURE SWITCH type IPN



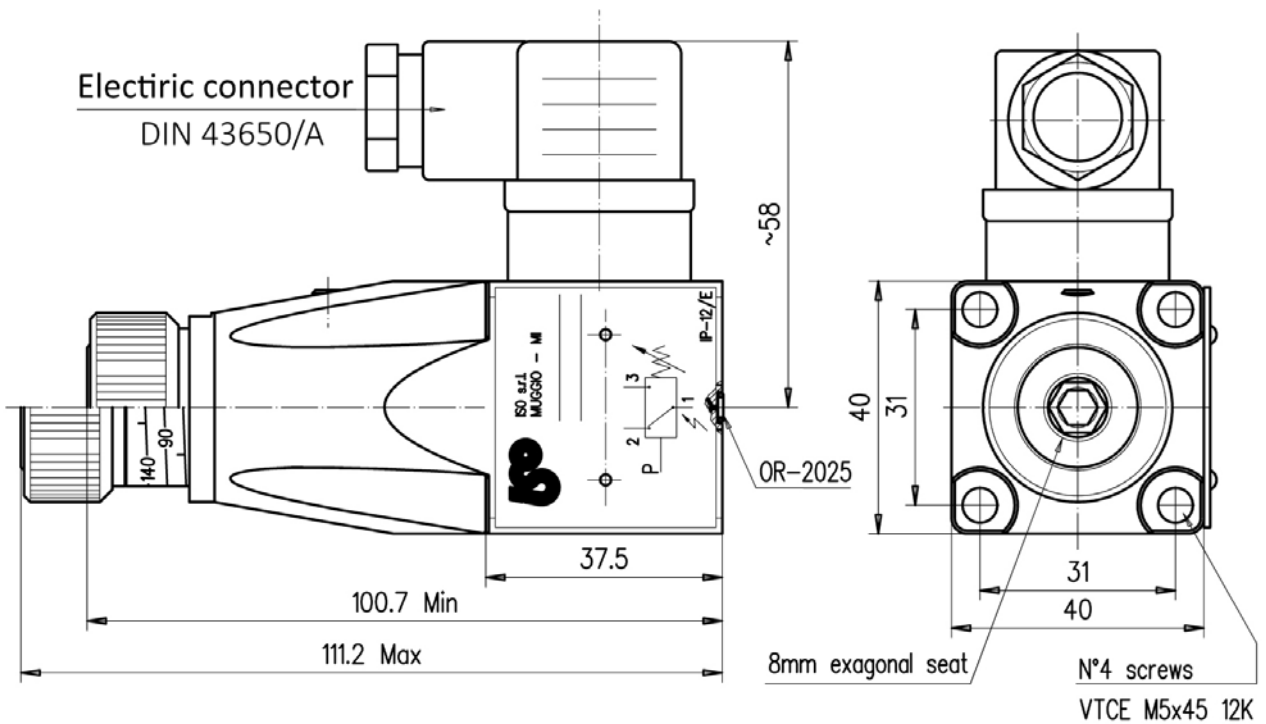
Characteristics

TYPE	SETTING RANGE	MAX WORKING PRESSURE	REPEATABILITY	WEIGHT
IPN-035	6-35 bar	350 bar	< ± 1% of setting	0.65 Kg.
IPN-080	10-80 bar			
IPN-160	12-160 bar			
IPN-250	15-250 bar	650 bar	< ± 1% of setting	0.65 Kg.
IPN-350	30-350 bar			
IPN-630	50-630 bar			

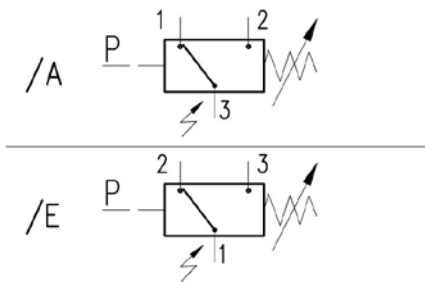
Description

Piston operated, fixed differential, electro-hydraulic pressure switch equipped with electric contact in exchange. When pre-set pressure is achieved, the piston actuates a microswitch. The setting adjustment is achieved by means of a scaled handwheel.

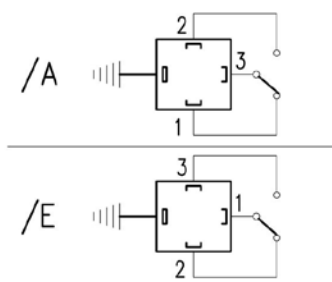
Dimensions



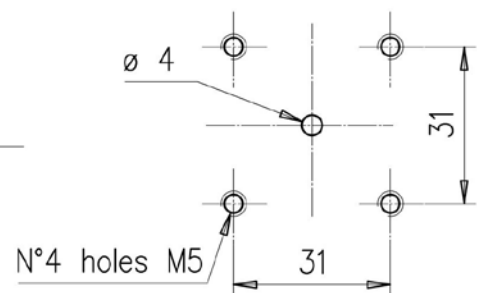
Symbol



Contacts



Flange interface



PISTON PRESSURE SWITCH type IPN

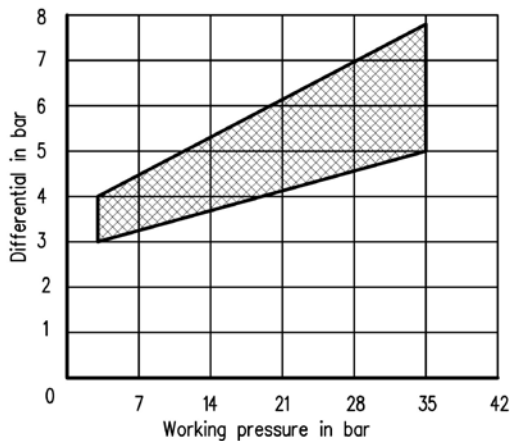


Electric characteristics

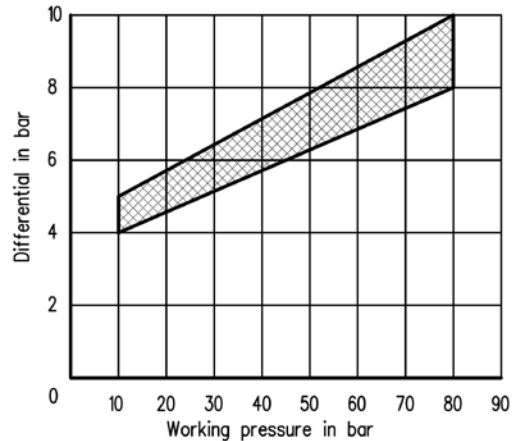
Voltage (V)	125 AC	250 AC	30 DC	150 DC
Max current (Resistive load)	7 Amp.	5 Amp.	5 Amp.	0.2 Amp.
Max current (Inductive load) Cos φ = 0.4	4 Amp.	2 Amp.	3 Amp.	0.02 Amp.
Connection frequency	Max. 120 cycles/min			
Protection	IP-65			
Direct current with inductive load	It is suggested to provide an arching contact			
Contact resistance	15 mΩ			

Diagram

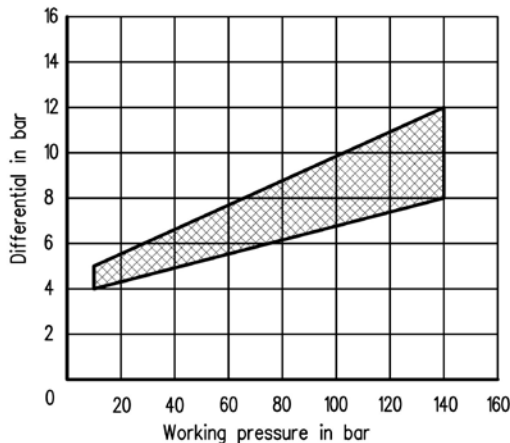
DIFFERENTIAL PRESSURE OF IPN-35 PRESSURE SWITCH



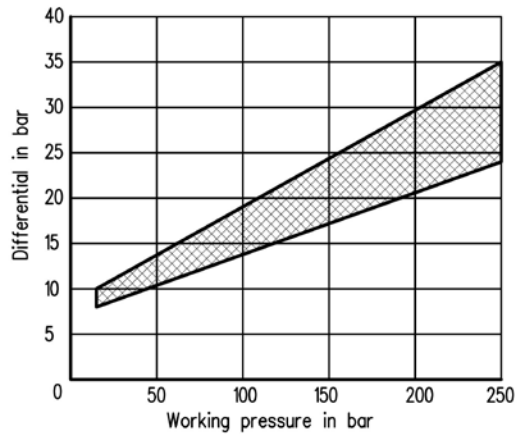
DIFFERENTIAL PRESSURE OF IPN-80 PRESSURE SWITCH



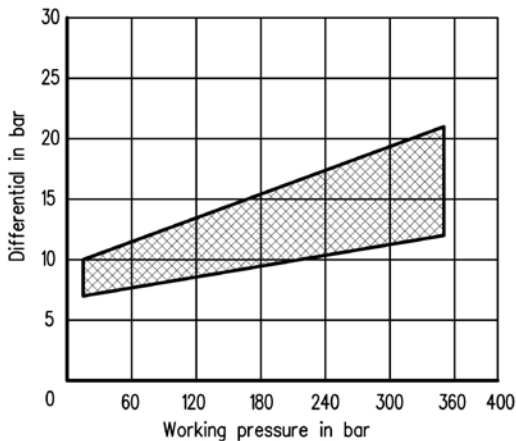
DIFFERENTIAL PRESSURE OF IPN-160 PRESSURE SWITCH



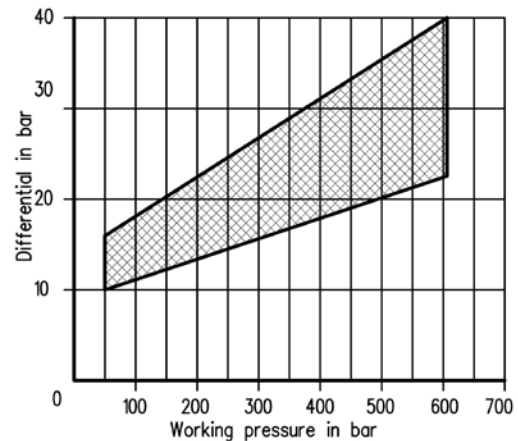
DIFFERENTIAL PRESSURE OF IPN-250 PRESSURE SWITCH



DIFFERENTIAL PRESSURE OF IPN-350 PRESSURE SWITCH



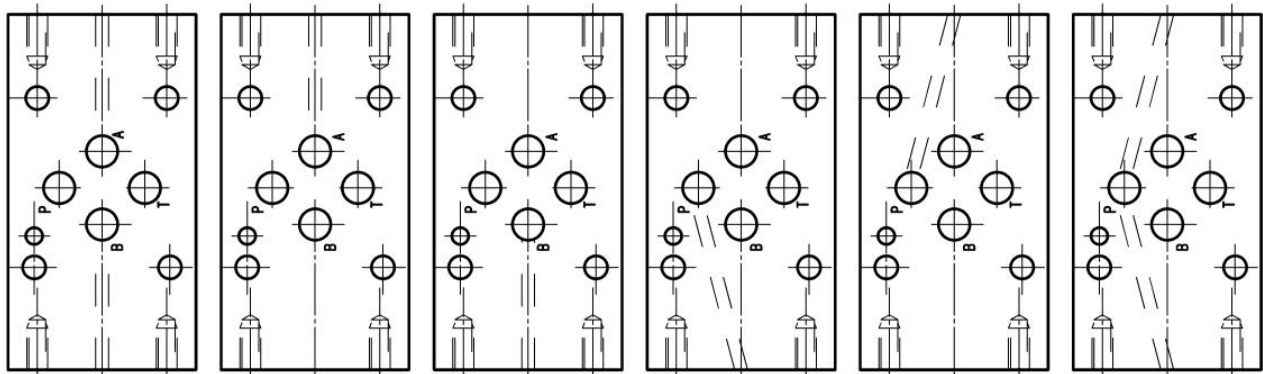
DIFFERENTIAL PRESSURE OF IPN-630 PRESSURE SWITCH





Adaptors

SBM-03/210-IP-**



Version AB

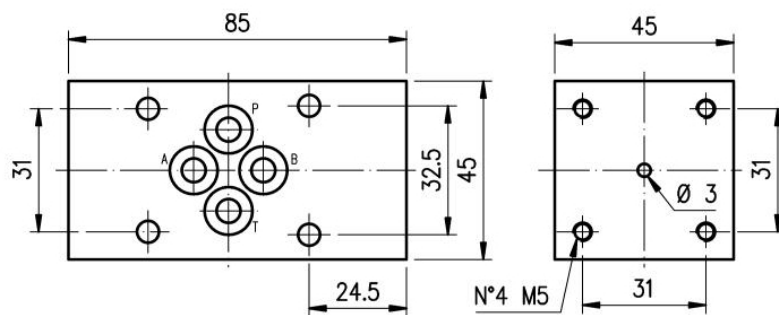
Version A

Version B

Version P1

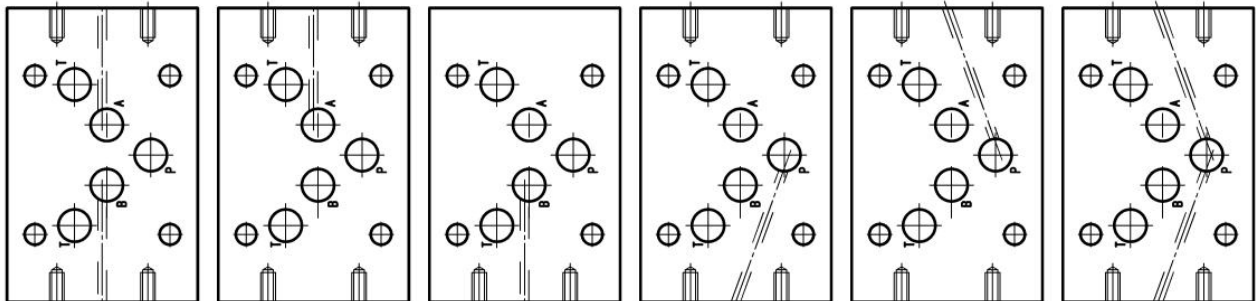
Version P2

Version PP



When your order, replace the asterisks with the port/ports on which the device will be mounted.
Es. **SBM-03/210-IP-B** = Pressure switch operating on B port.

SBM-05/210-IP-**



Version AB

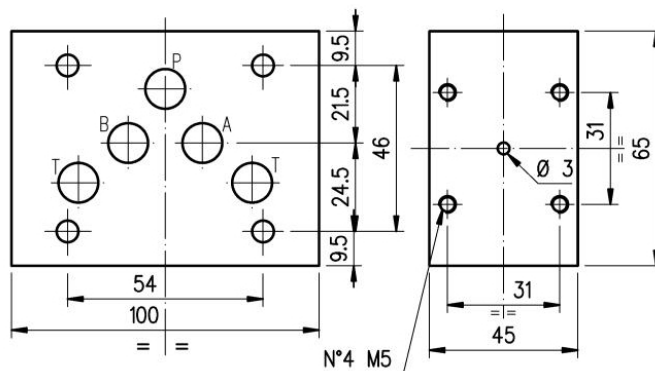
Version A

Version B

Version P1

Version P2

Version PP

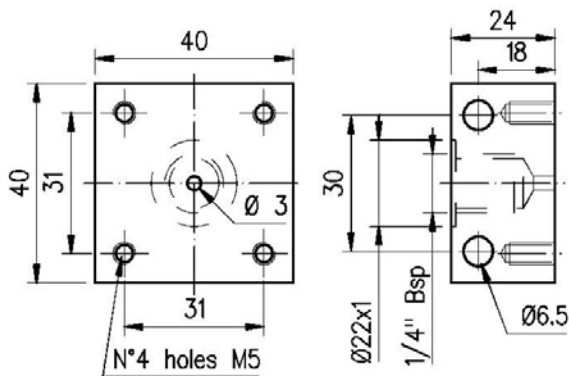


When your order, replace the asterisks with the port/ports on which the device will be mounted.
Es. **SBM-05/210-IP-B** = Pressure switches operating on B port.

PISTON PRESSURE SWITCH type IPN

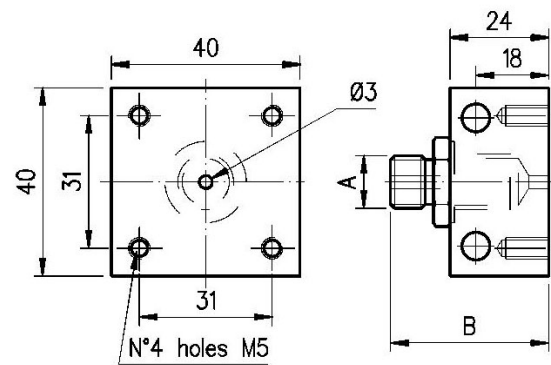


BFU-14 (Female adaptor)



WEIGHT 0.3 Kg.

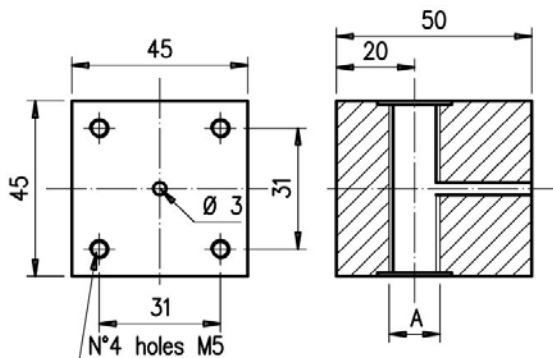
BMM-**



TYPE	A	B
BMM-14	1/4" BSP	41
BMM-38	3/8" BSP	45
BMM-12	1/2" BSP	46

WEIGHT 0.3 Kg.

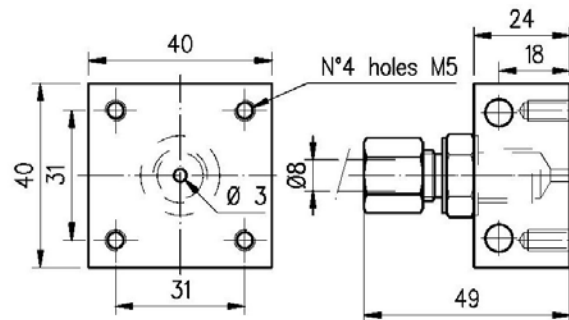
BFM-**



TYPE	A
BFM-14	1/4" BSP
BFM-38	3/8" BSP
BFM-12	1/2" BSP

WEIGHT 0.6 Kg.

BT-1/4x8



It allows the pressure switch mounting:
 - wall-type by using 2 \varnothing 6.5 holes
 - equipped with 1/4" BSP tang for \varnothing 8 hose

Installation rules

- The pressure switches type IPN can be mounted in any position
- Fluid to be used: hydraulic oil in compliance with DIN 51524 rules, viscosity between 30 and 100 mm²/s (cSt) at 40°C
- Recommended filtration of 25 μ
- Hydraulic fluid temperature: from -20° to +75°C

Ordering code

IPN - *** / *

/A = electric contacts type A /E = electric contacts type E

Pressure setting : 035=6-35 bar 080=10-80 bar 160=12-160 bar 250=15-250 bar 350=30-350 bar 630=50-630 bar

Pressure switch

The product has not to be used as safety device as stated in Article 1, paragraph 2, letter D of Legislative Decree N° 93 dated 25/02/2000.

The component has been designed and manufactured meeting the requirements stated in Directive 97/23/CE (Legislative Decree N° 93/00).

The component is included in the category provided in Article 3, paragraph 3, for which it can be commercialized without CE marking.