

Solenoid operated valves pilot operated poppet type
2-way normally closed
Special cavity, 019-E

VEI-16-08S-NC

OD.15 - X - 19 - Y - Z

RE 18323-27

Edition: 03.2020

Replaces: 01.2020



Technical data

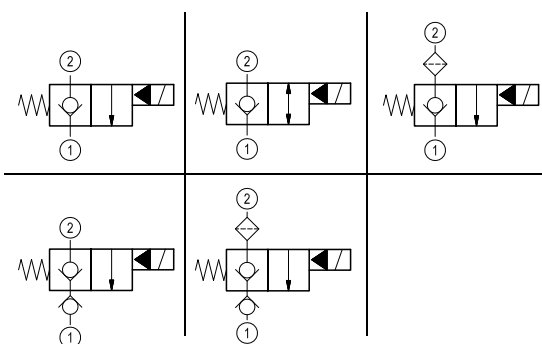
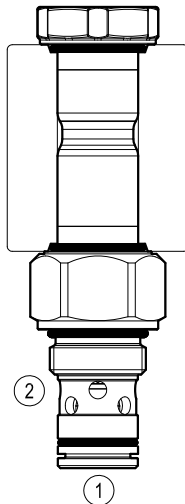
New VEI-16 family incorporates a new solenoid concept providing excellent performance and enables cartridges to work in severe environment. Cartridges also incorporates advanced design of hydraulic parts providing excellent hydraulic performance.

Technical data

General	
Weight	0.15 kg (0.33 lbs)
Installation orientation	Unrestricted
Storage ambient temperature range	-40 to 100 °C (-40 to 212 °F)
Operating ambient temperature range	-30 to 90 °C (-22 to 194 °F)
Salt spray test to DIN EN ISO 9227:2017-07	500h
Hydraulic	
Max. operating pressure	350 bar (5000 psi)
Flow range	0.5 - 40 l/min (0.1 - 11 gpm)
Fatigue cycle life	2 million cycles at 350 bar 150000 cycles at 420 bar
Max. internal leakage	5 drops/min.
Switching time	Opening ≤ 50 ms Closing ≤ 100 ms
Fluid temperature range	-20 to 80 °C (-4 to 176 °F)
Fluids: Mineral-based or synthetics with lubricating properties at viscosities of 20 to 380 mm ² /s (cSt)	
Installation torque	39 - 51 Nm (29 - 38 ft-lbs)
Recommended degree of fluid contamination	Nominal value max. 10 μm (NAS 8) ISO 4406 19/17/14
MTTFd	150 years see RE 18350-51
Special cavity	019-E see 18325-75
Seal kit for X=01,05,07	code material no. RG19E201052010 R934003560
Seal kit for X=11,13	code material no. RG19E201053010 R934003561
Seal kit coil and standard cap	code material no. RG02Z0010000100 R930067869
Seal kit coil and protective cap only for Y=D	code material no. RG03Z0010000100 R930067870
Other technical data	See data sheet 18350-50
Electrical	
Type of voltage	DC voltage
Coil type	D36
Supply voltage	See data sheet 18325-90
Voltage tolerance against ambient temperature	See characteristic curve
Power consumption	20 W
Type of protection	See data sheet 18325-90

Note: Coils must be ordered separately

PATENT PENDING



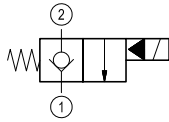
Ordering code

OD.15	X	19	Y	Z	0000	*
--------------	----------	-----------	----------	----------	-------------	----------

Solenoid operated valves
pilot operated poppet type
2-way normally closed

Series O/A to L
unchanged performances and dimensions

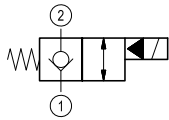
monodirectional type



01

0 = With buna seal
8 = With buna seal and extra spring
V = With Viton seal
P = With buna seal and protective cap for override version **D**
T = With Viton seal and protective cap for override version **D**

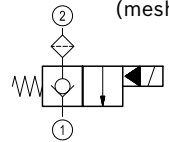
bidirectional type



05

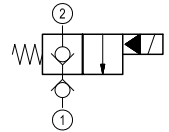
A = Standard
D = Knob style manual override
E = Pull style manual override
F = Hand operated pull style manual override

monodirectional type with filter
(mesh= 300 µm)



07

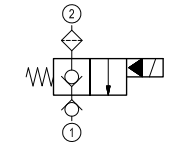
monodirectional type with check



11

Special cavity: 019-E

monodirectional type with filter
and check



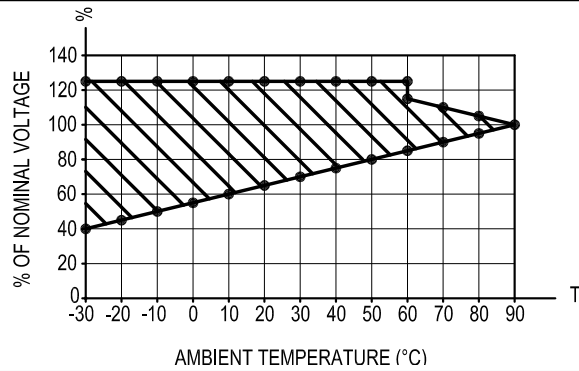
13

Type	Material number
OD150519A000000	R930058433
OD150519DP00000	R930058531
OD150719A000000	R930058431
OD150719DP00000	R930058530
OD151119A000000	R930060459
OD151319A000000	R930058333
OD151319D000000	R930058343

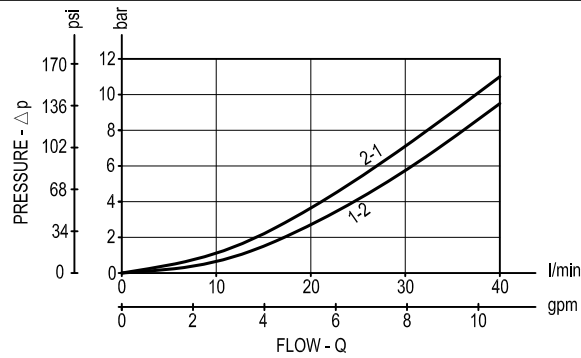
Type	Material number
OD150119E000000	R930060857
OD150519E000000	R930060865
OD150719E000000	R930060872
OD151119E000000	R930060882
OD151319E000000	R930060890
OD151119A800000	R930068881
OD151119AV00000	R930060876

Characteristic curves

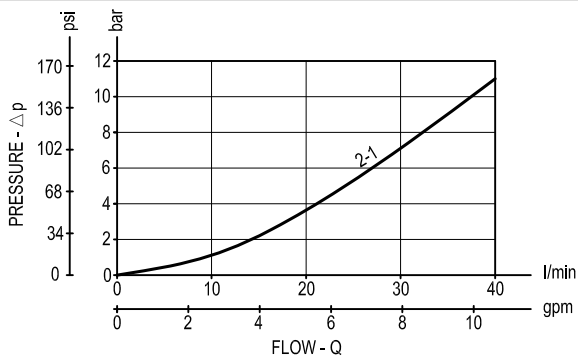
All Versions - Admissible supply voltage Vs. Ambient temperature at 100% duty cycle



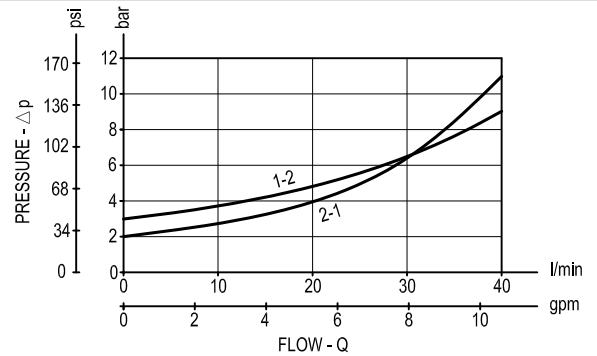
Version 01-05-07



Versions 11-13

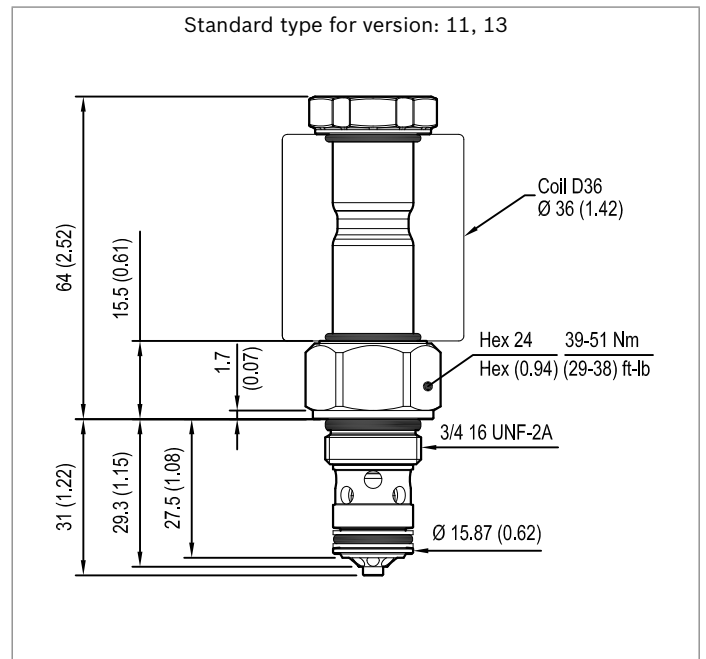
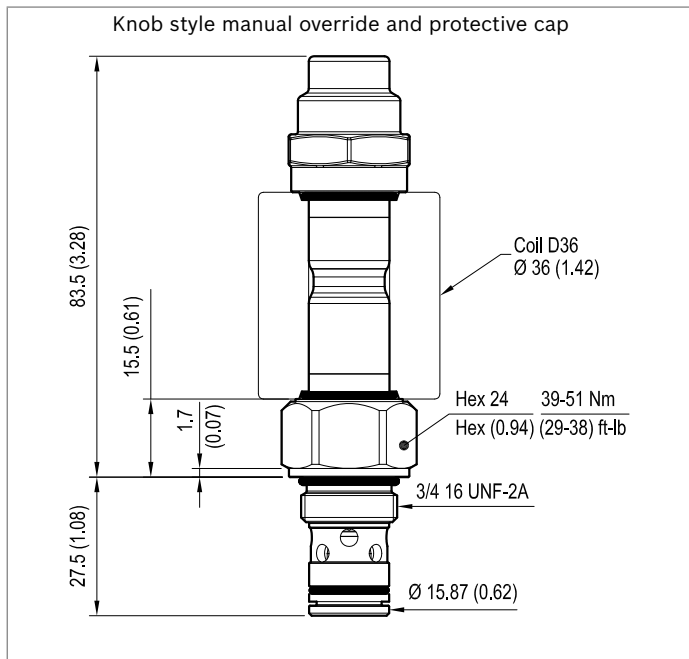
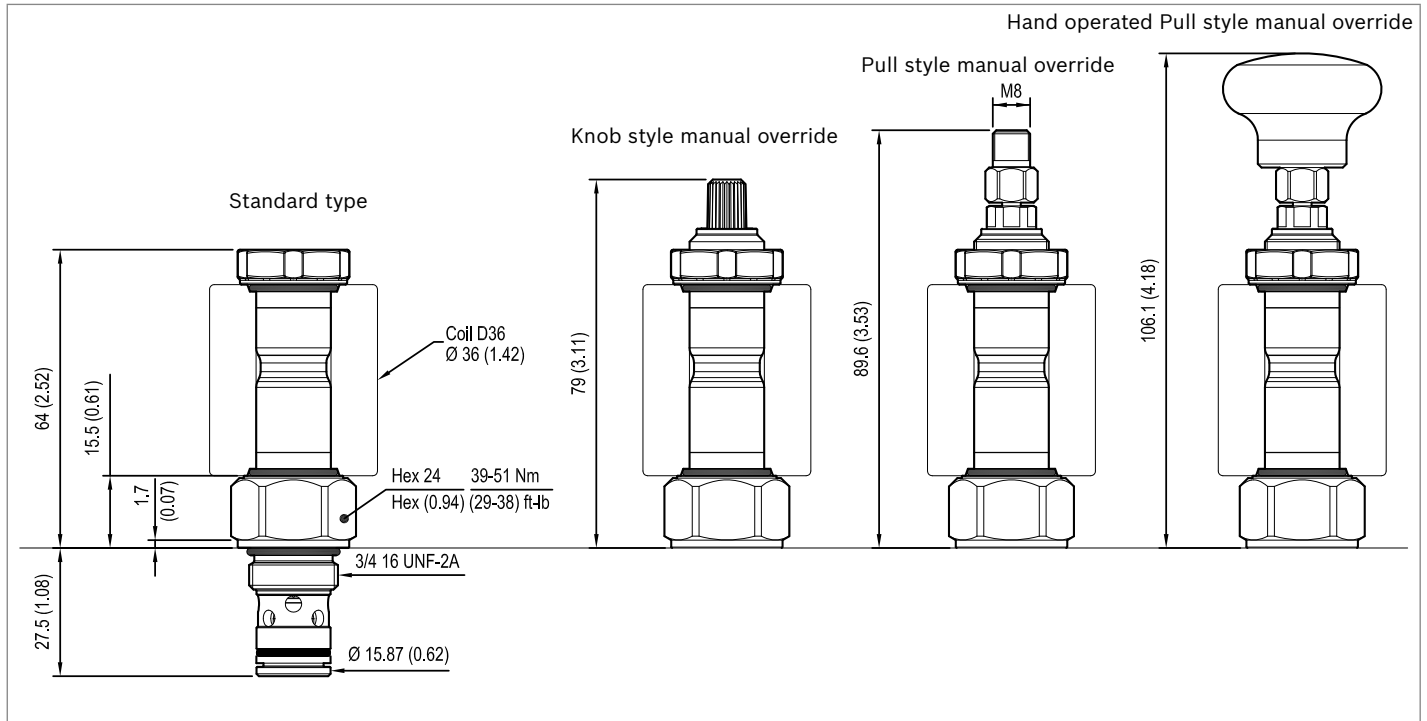


Version 11 with extra spring



Dimensions

Solenoid operated valves, poppet 2-way normally closed



Bosch Rexroth Oil Control S.p.A.

Via Leonardo da Vinci 5
P.O. Box no. 5
41015 Nonantola – Modena, Italy
Tel. +39 059 887 611
Fax +39 059 547 848
compact-hydraulics-cv@boschrexroth.com
www.boschrexroth.com/compacthydraulics

© This document, as well as the data, specifications and other information set forth in it, are the exclusive property of Bosch Rexroth Oil Control S.p.a.. It may not be reproduced or given to third parties without its consent. The data specified above only serve to describe the product. No statements concerning a certain condition or suitability for a certain application can be derived from our information. The information given does not release the user from the obligation of own judgment and verification. It must be remembered that our products are subject to a natural process of wear and aging. Subject to change.