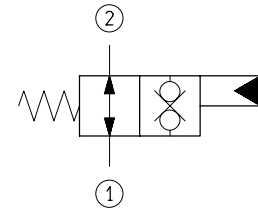
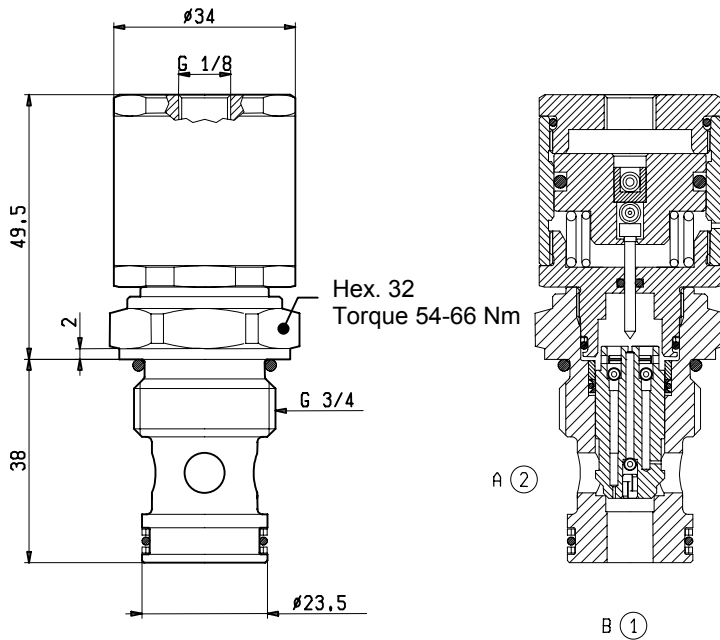


**DIRECTIONAL CONTROL VALVES
HYDRAULIC OPERATED POPPET 2-WAY DOUBLE LOCK
NORMALLY OPEN CARTRIDGE STYLE**



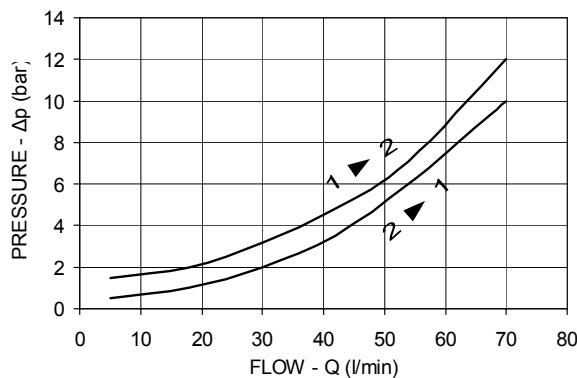
VOI-8A-2T-09-NA-S

OD.75.32.17 - Y - 00



TECHNICAL DATA

Maximum Operating Pressure	350	bar
Rated Flow	70	l/min
Cavity - Tooling (017-E)	page 7.01.100	
Weight	0.340	kg
Fluids - Temperatures	page 7.01.040	
Testing Conditions - Seals	page 7.01.040	
Internal Leakage	page 7.01.040	
Filtration : 25 μm nominal or better	page 7.01.050	
Mounting Position	unrestricted	



Y	OPERATING PRESSURE		
	MIN.	bar	MAX.
14	2 - 3		15
34	15 - 20		50