

Series LCP***N

Dimensions

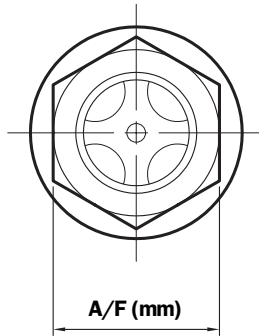


Standard view

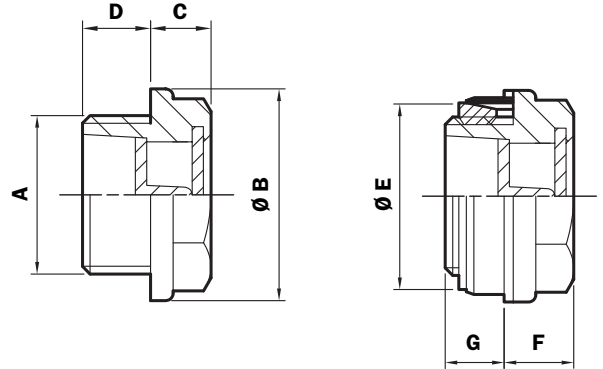


With view contrast and Expansion kit

LCP***N***S



LCP***N***K



| Size | A | Ø B | C | A/F (mm) | D | Ø E | F | G |
|------|----------|-----|------|----------|------|------|------|------|
| G13 | G 1/4" | 20 | 7 | 17 | 9 | - | - | - |
| G16 | G 3/8" | 22 | 8 | 18 | 9 | 19,5 | 9,2 | 7,8 |
| G20 | G 1/2" | 28 | 8 | 22 | 9 | 25,5 | 9,2 | 7,8 |
| G26 | G 3/4" | 35 | 9 | 27 | 10 | 29,5 | 10,5 | 8,5 |
| G33 | G 1" | 42 | 11,5 | 34 | 12,5 | 39 | 13 | 11 |
| G42 | G 1 1/4" | 52 | 12 | 42 | 13 | 49 | 13,5 | 11,5 |
| G48 | G 1 1/2" | 58 | 14 | 47 | 13 | 54 | 15,5 | 11,5 |
| G60 | G 2" | 74 | 14 | 64 | 20 | - | - | - |

LCP***N***** (Materials)

- 1 - Body: Nylon
- 2 - Lens: Thermoplastic
- 3 - Contrast screen: Nylon
- 4 - Seals: NBR
Inorganic fibre
- 5 - Expansion kit: Brass - NBR

Quantity per pack
Number of Parts

LCP/N 25

N.B. Recommended tightening torque 10 Nm.

Ø hole for Expansion kit

| Size | Diameter |
|------|----------|
| G16 | Ø 20 |
| G20 | Ø 26 |
| G26 | Ø 30 |
| G33 | Ø 40 |
| G42 | Ø 50 |
| G48 | Ø 55 |

Spare parts

| Size | Expansion Kit |
|------|---------------|
| - | - |
| G16 | 2026020 |
| G20 | 2026021 |
| G26 | 2026019 |
| G33 | 2026023 |
| G42 | 2026025 |
| G48 | 2026026 |
| - | - |

Ordering information

Level indicator

LCP***N

Example: LCP

| 1 | 2 | 3 | 4 | 5 | 6 |
|-----|---|---|---|---|-----|
| □ | □ | □ | □ | □ | □ |
| G20 | N | C | A | K | P01 |

1 - Size

| | |
|-----|----------|
| G13 | G 1/4" |
| G16 | G 3/8" |
| G20 | G 1/2" |
| G26 | G 3/4" |
| G33 | G 1" |
| G42 | G 1 1/4" |
| G48 | G 1 1/2" |
| G60 | G 2" |

2 - Material

N Black nylon

3 - Accessories

S Standard view

C Baffle (for except G13)

4 - Seal

A NBR (only K)

B Inorganic fibre

5 - Expansion kit

S Without
K Expansion kit (for except G13 - G16)

6 - Options

P01 MP Filtri standard