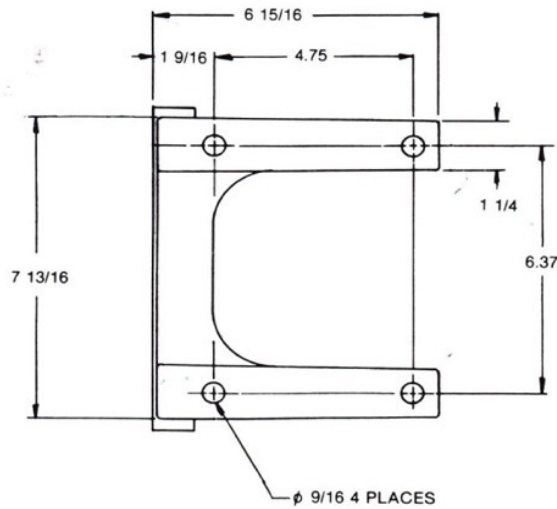
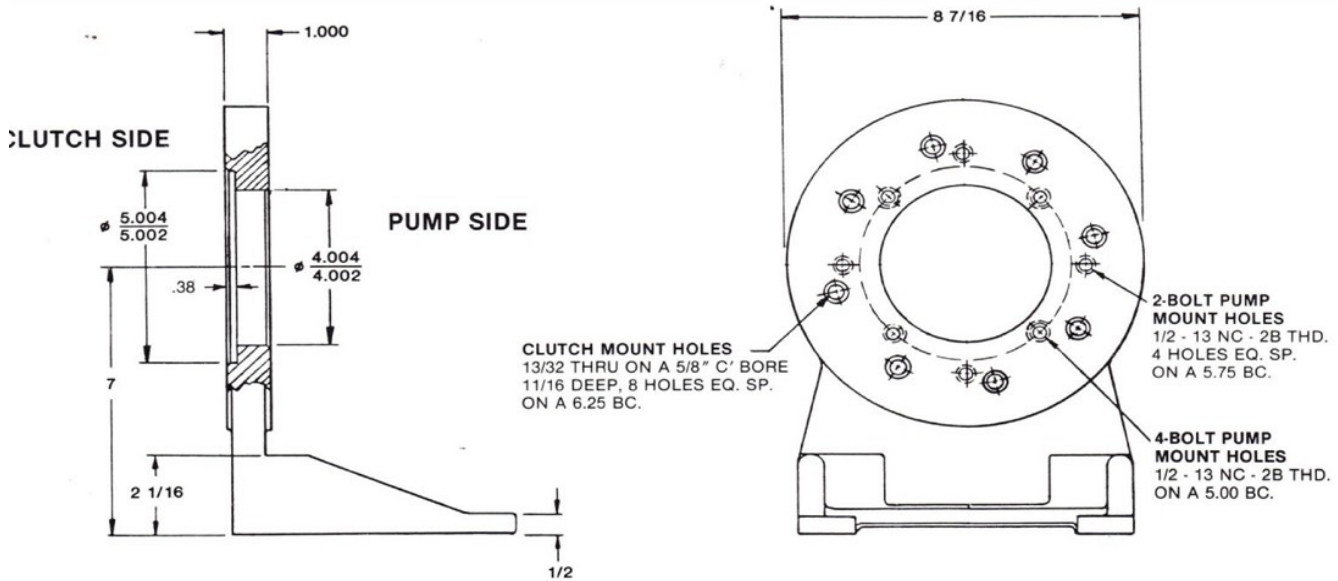




Model B-H36-H49-B **Clutch Mounting Bracket** **SAE "B" 2-4 Bolt**



PATENT NO. 4601378

Bracket Part No	Used On	Weight
13258	H36 H44 H49 Series Clutches	21 Lbs.