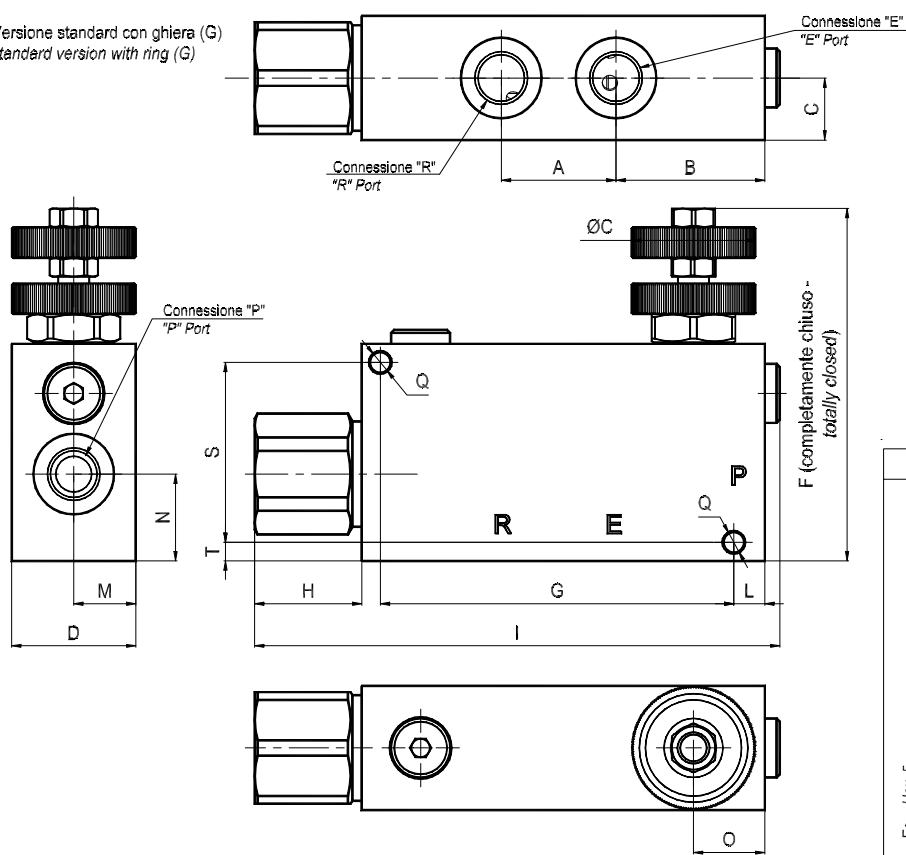
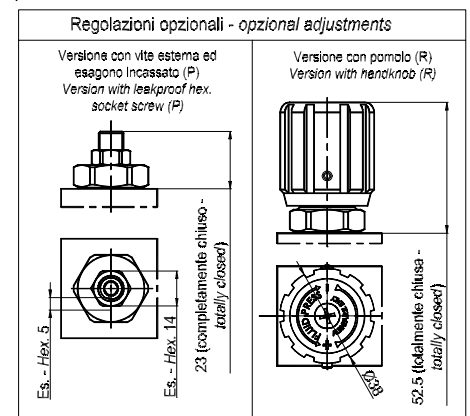


Regolatore di flusso a 3 vie compensato, con eccedenza in pressione, montaggio in linea
In line three way pressure compensated flow regulator, with exceeding flow in pressure

Versione standard con ghiera (G)
 standard version with ring (G)



| Tipo - type | Peso - Weight (Kg) | | |
|-------------|--------------------|-------|-------|
| | P | R | G |
| FPVP 3/8 | 1,200 | 1,300 | 1,250 |
| FPVP 3/8 S | 2,750 | 2,850 | 2,800 |
| FPVP 1/2 | 1,200 | 1,300 | 1,250 |
| FPVP 1/2 S | 2,700 | 2,800 | 2,750 |
| FPVP 3/4 | 2,156 | 2,256 | 2,206 |
| FPVP 3/4 S | 4,656 | 4,756 | 4,706 |



| TIPO TYPE | PORTATA MAX. MAX. FLOW L/MIN | A | B | C | D | E | F | G | H | I | L | M | N | O | P | Q | R | S | T |
|-----------|--------------------------------------|----|----|----|----|------|-------|-----|------|-------|----|----|----|----|------|-----|------|----|----|
| | | mm | mm | mm | mm | BSPP | mm | mm | mm | mm | mm | mm | mm | mm | BSPP | mm | BSPP | mm | mm |
| FPVP 3/8 | Vedere Specifiche See specifications | 37 | 48 | 20 | 40 | 3/8" | 113.7 | 114 | 36.5 | 171.3 | 10 | 20 | 28 | 23 | 3/8" | 6.5 | 3/8" | 58 | 6 |
| FPVP 1/2 | | 37 | 48 | 20 | 40 | 1/2" | 113.7 | 114 | 36.5 | 171.3 | 10 | 20 | 28 | 23 | 1/2" | 6.5 | 1/2" | 58 | 6 |
| FPVP 3/4 | | 44 | 57 | 25 | 50 | 3/4" | 139.5 | 135 | 34.5 | 194.8 | 10 | 25 | 35 | 25 | 3/4" | 8.5 | 3/4" | 74 | 8 |

ESEMPIO DI ORDINAZIONE - ORDERING CODE EXAMPLE

