

VFD 50 Series

Variable Priority Flow Dividers.



Milwaukee, WI 53235, USA

Tel: +1 (414) 769-6400

sales-us@webtec.com

St. Ives, Cambs. PE27 3LZ, UK

Tel: +44 (0) 1480 397 400

sales-uk@webtec.com

www.webtec.com

Priority Type Flow Dividers split a single input flow into a 'Priority' (regulated) flow and a 'By-Pass' (excess) flow which can be returned directly to the oil reservoir or used to power a second system. In many instances this dispenses with the need for another pump to operate a second system.

Specifications

Maximum Pressure:

420 bar (working)

Total Flow Capacity:

50 lpm

Regulated Flow Capacity:

See Table 1, ordering codes

Porting:

See Table 2, ordering codes

Material:

Steel components in cast SG Iron body: aluminium knob.

Weight:

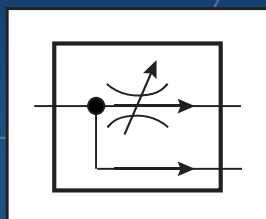
0.75 kg

Mounting:

2 Bolt - BSPP or NPTF Ported

3 Bolt - Manifold

Symbol



Features

- Clearly marked hand-dial permits fast visual adjustments to pre-determined 'Priority' flow and fast easy adjustment of 'Priority' circuit to meet varying requirements.
- Pressure compensated permitting both 'Priority' and 'By-Pass' flows to be used simultaneously at varying pressures without effecting the Priority flow rate.



Hydraulic measurement and control

VFD50-BU-ENG-3426.pdf 05/16
(Issue 2)

Ordering Codes

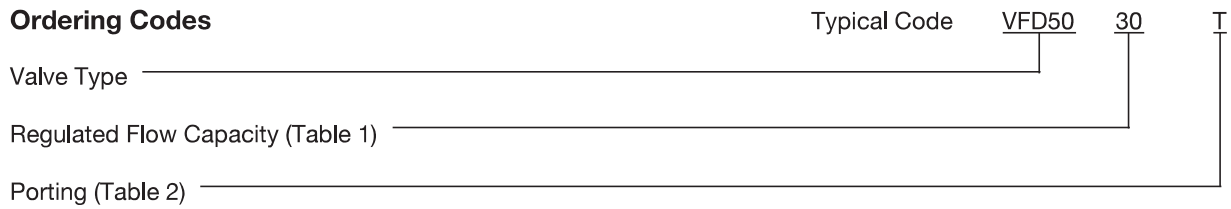


Table 1: Regulated Flow

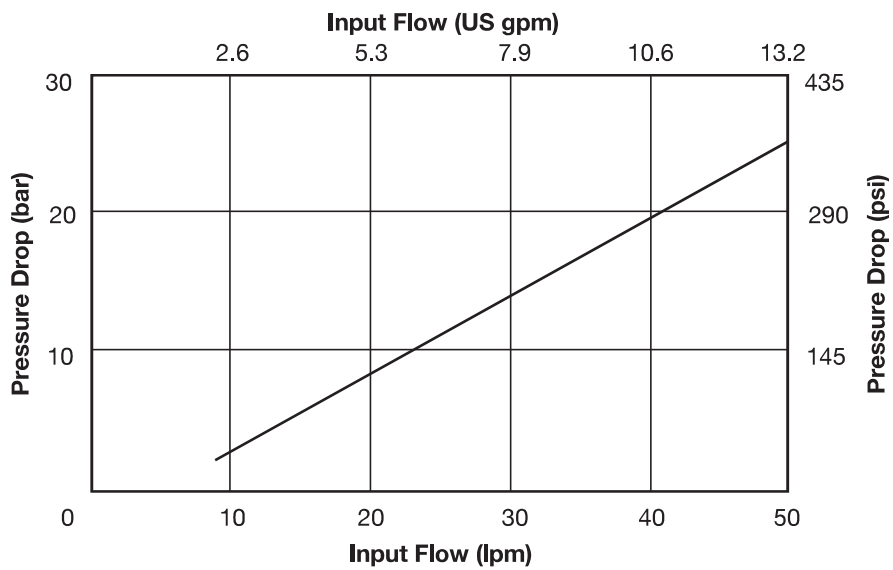
Code	Regulated Flow
05	0 - 5 lpm
10	0 - 10 lpm
15	0 - 15 lpm
30	0 - 30 lpm

Table 2: Porting*

Code	Port Type
T	3/8" BSPP x 3 Ports
M	Manifold Mounted
A	3/8" NPTF x 3 Ports

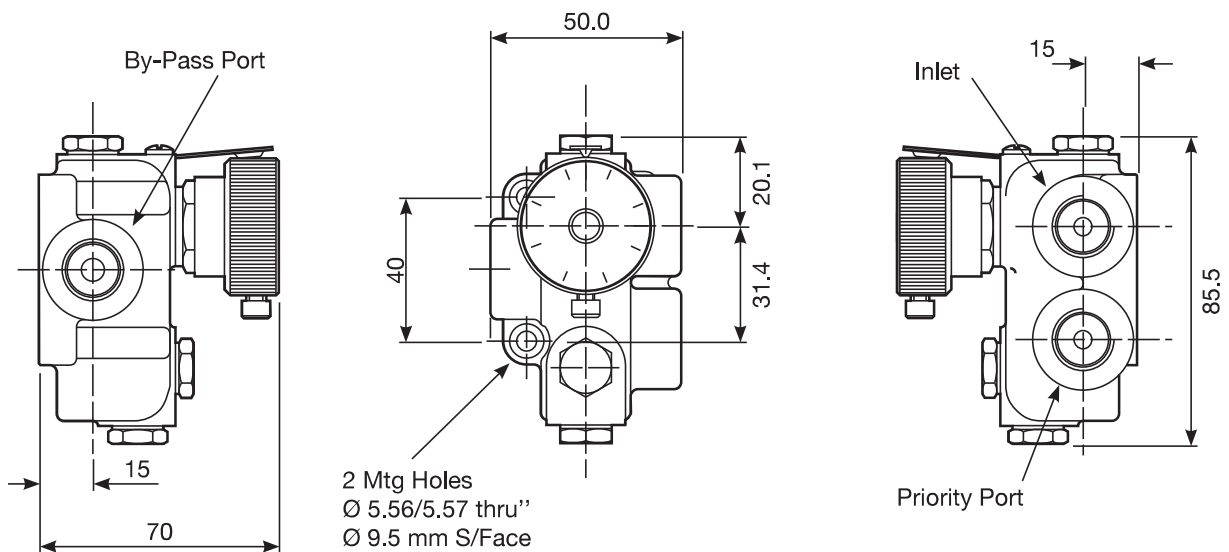
Typical Pressure Drop VFD 50 Series

Curve established using hydraulic mineral oil ISO 32 with viscosity of 21 centistokes at 50°C



Installation details

Dimensions in millimetres



* Other threads available to special order.