

BM2... MULTI STATION SUBPLATE

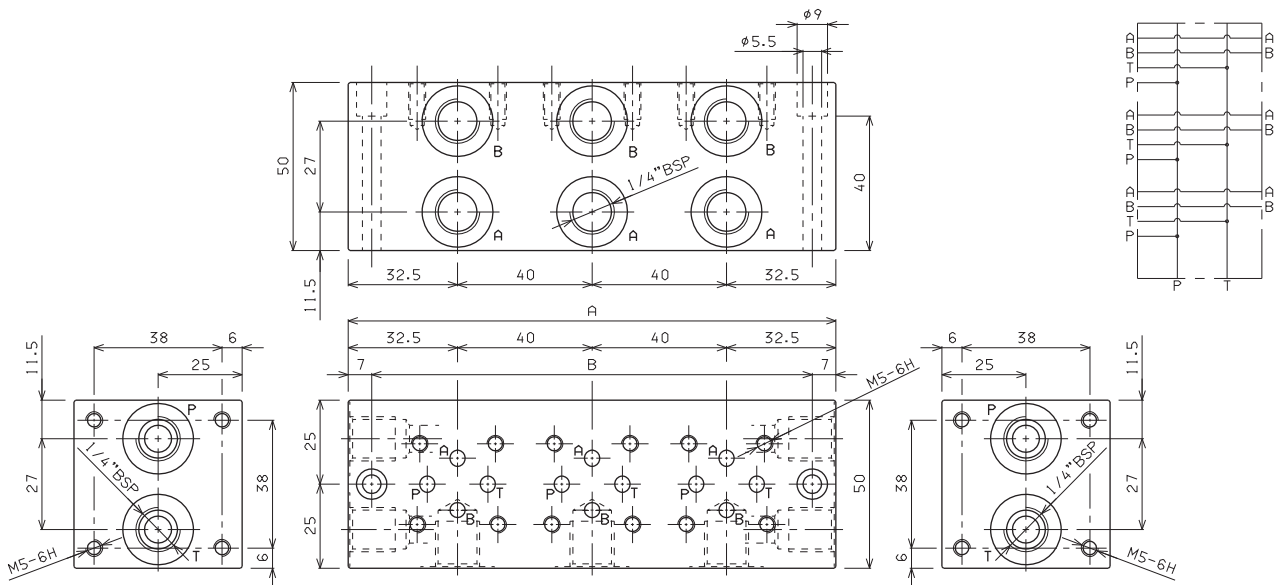
BM250/60/70

- BM** Multi station subplate (supplied in aluminium material)
- 2** CETOP 2/NG4
- ****
 - 50** = Connected in parallel with pressure relief valve and rear connectors
 - 70** = Connected in parallel with pressure relief valve and side connectors
 - 60** = Connected in parallel without pressure relief valve and side connectors
- *** No. of valve seats
2 / 3 / 4 / 5 / 6 / 7 / 8
- C** Type of adjustment (omit for 60 version)
Grub screw
- *** Setting range (omit for 60 version)
 - 1** = max. 30 bar (**white spring**)
 - 2** = max. 90 bar (**yellow spring**)
 - 3** = max. 180 bar (**green spring**)
 - 4** = max. 250 bar (**orange spring**)
- ****
 - 00** = No variant
 - V1** = Viton
- 1** Serial No.

•The minimum permissible setting pressure depending on the spring:
see cartridge valve type CMP02...

BM260 CONNECTED IN PARALLEL WITHOUT PRESSURE RELIEF VALVE

Type	A	B	Weight(Kg)
BM260/2	105	91	0,64
BM260/3	145	131	0,87
BM260/4	185	171	1,10
BM260/5	225	211	1,33
BM260/6	265	251	1,56
BM260/7	305	291	1,79
BM260/8	345	331	2,02

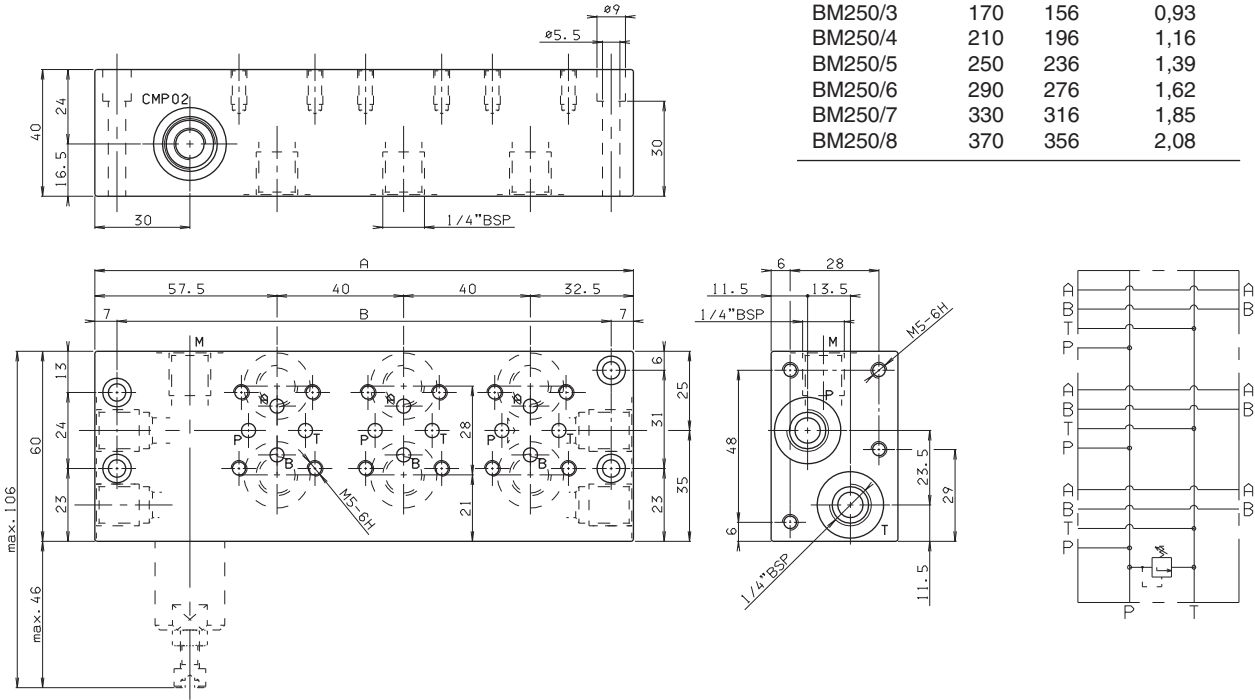


Fixing screws M5x50 UNI 5931

BM2... MULTI STATION SUBPLATE

BM250 CONNECTED IN PARALLEL WITH PRESSURE RELIEF VALVE

Type	A	B	Weight(Kg)
BM250/2	130	116	0,70
BM250/3	170	156	0,93
BM250/4	210	196	1,16
BM250/5	250	236	1,39
BM250/6	290	276	1,62
BM250/7	330	316	1,85
BM250/8	370	356	2,08

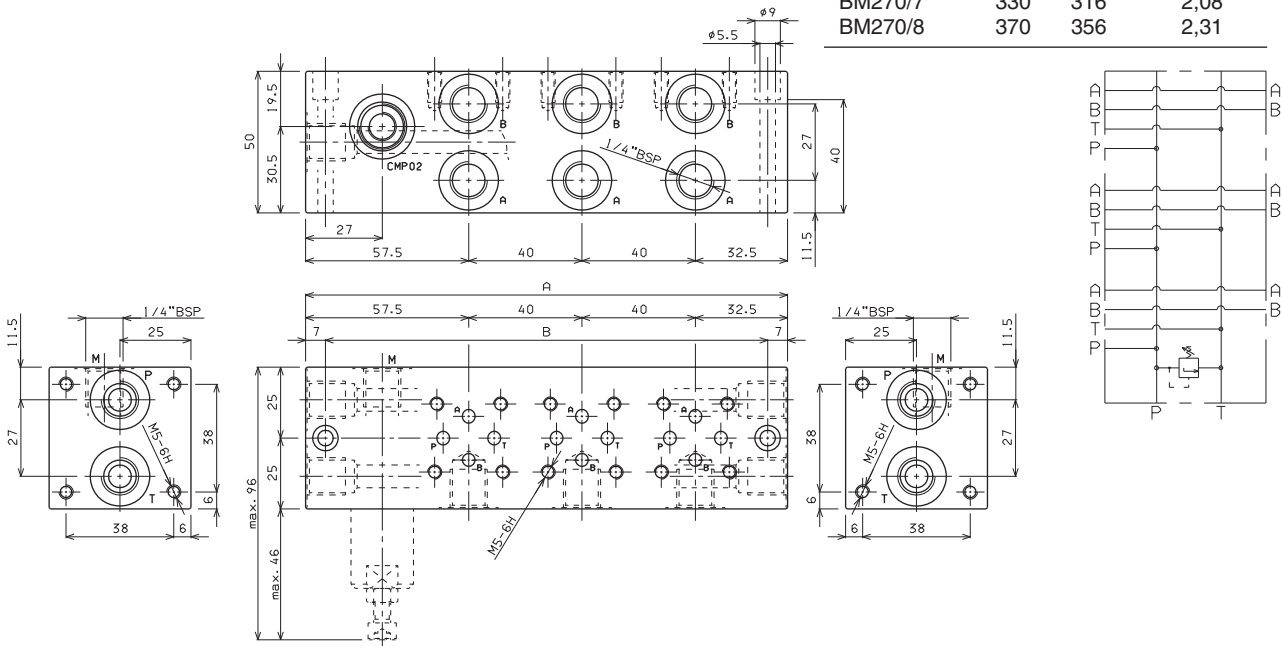


Fixing screws M5x40 UNI 5931

7

BM270 CONNECTED IN PARALLEL WITH PRESSURE RELIEF VALVE

Type	A	B	Weight(Kg)
BM270/2	130	116	0,93
BM270/3	170	156	1,16
BM270/4	210	196	1,39
BM270/5	250	236	1,62
BM270/6	290	276	1,85
BM270/7	330	316	2,08
BM270/8	370	356	2,31



Fixing screws M5x50 UNI 5931