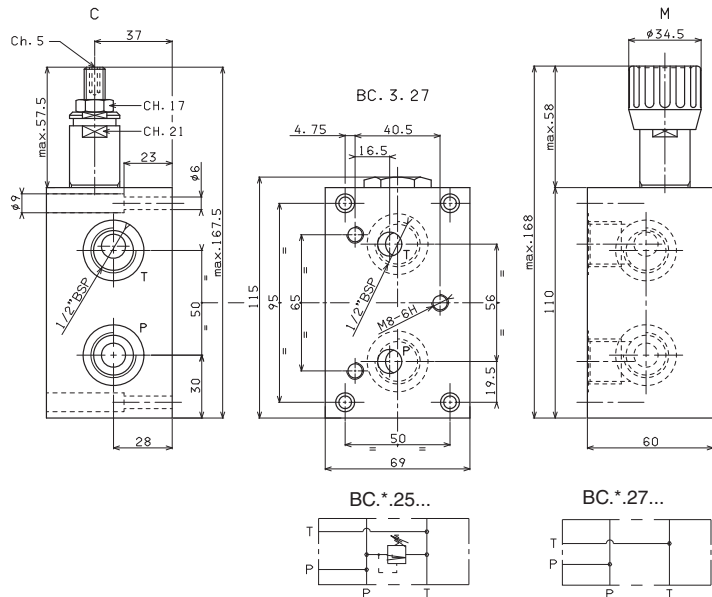


BC.3.25/27 P/T REAR AND SIDE CONNECTORS 1/2" BSP - 3 RODS

- BC** Module base
- 3** CETOP 3/NG6
- **** **25** = 1/2" BSP rear and side connectors with CMP
27 = 1/2" BSP rear and side connectors without CMP
- *** Adjustment (omit for 27 version)
M = Plastic knob
C = Grub screw
- *** Setting range (omit for 27 version)
1 = max. 50 bar (**white spring**)
2 = max. 150 bar (**yellow spring**)
3 = max. 320 bar (**green spring**)
- 00** No variant
- 1** Serial No.



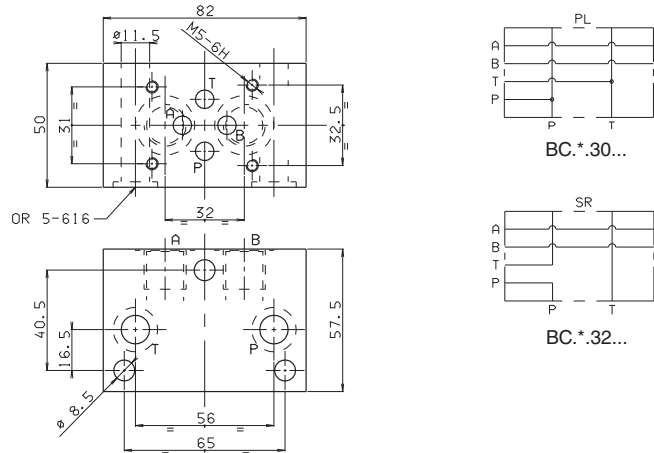
Weight BC.3.25: 2,7 Kg
Weight BC.3.27: 2,6 Kg
Fixing screws M5x30 UNI 5931

• The minimum permissible setting pressure depending on the spring:
see cartridge valve type CMP.10... Chapter VII page 30

BC.3.30/32 - 3 RODS

7

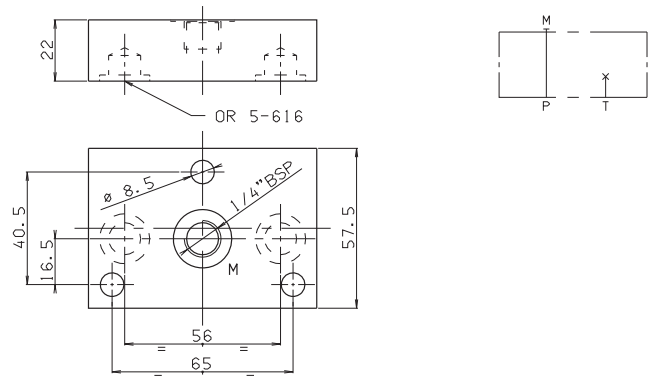
- BC** Module base
- 3** CETOP 3/NG6
- **** **30** = 3/8" BSP connectors in parallel
32 = 3/8" BSP connectors in series
- 00** No variant
- 1** Serial No.



Weight Kg. 1,4

BC.3.40 - 3 RODS

- BC** Module base
- 3** CETOP 3/NG6
- 40** Blanking
- 00** No variant
- 1** Serial No.



Weight: 0,7 Kg