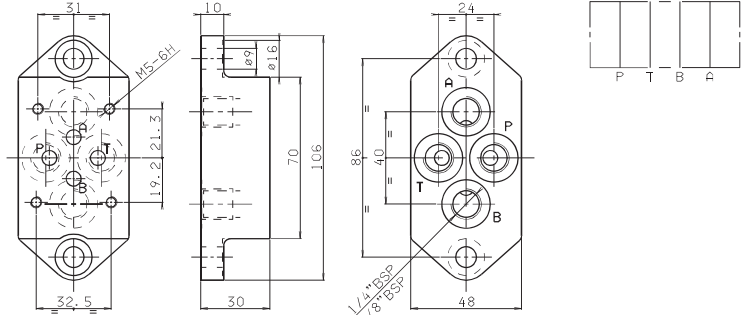


BS.3.10/11... (REAR CONNECTORS)

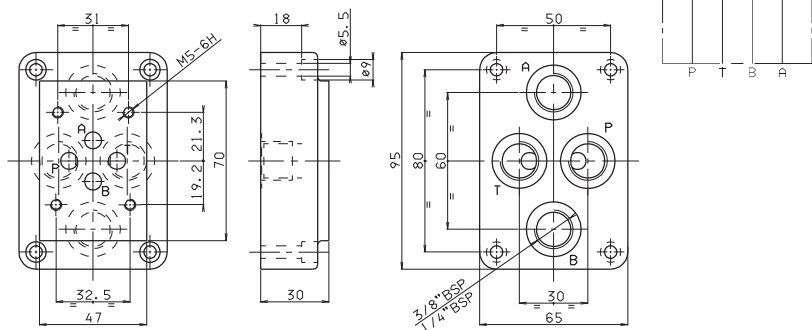
- BS** Single subplate
- 3** CETOP 3/NG6
- **** **10** = 1/8" BSP rear connectors
11 = 1/4" BSP rear connectors
- 00** No variant
- 1** Serial No.



Weight: 0,7 Kg - Fixing screws M8x20 UNI 5931

BS.3.12/13 (REAR CONNECTORS)

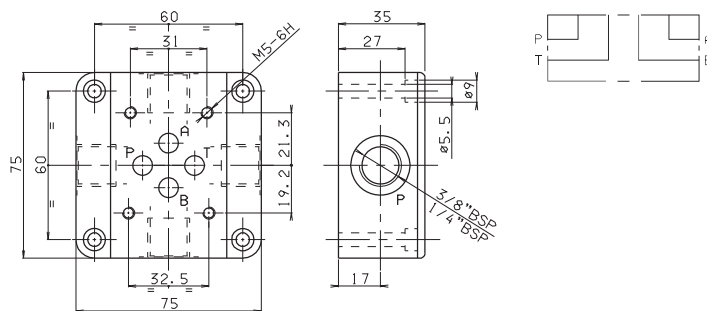
- BS** Single subplate
- 3** CETOP 3/NG6
- **** **12** = 3/8" BSP rear connectors
13 = 1/4" BSP rear connectors
- 00** No variant
- 1** Serial No.



Weight: 1 Kg - Fixing screws M5x25 UNI 5931

BS.3.14/15 (SIDE CONNECTORS)

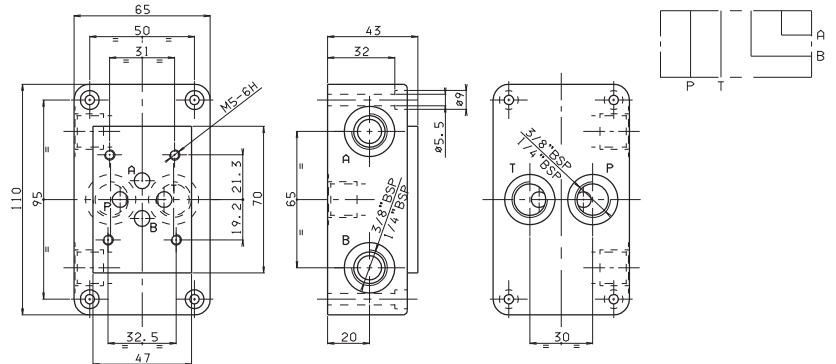
- BS** Single subplate
- 3** CETOP 3/NG6
- **** **14** = 3/8" BSP side connectors
15 = 1/4" BSP side connectors
- 00** No variant
- 1** Serial No.



Weight: 1,2 Kg - Fixing screws M5x35 UNI 5931

BS.3.16/17 (CONNECTORS SIDE A AND B, REAR P AND T)

- BS** Single subplate
- 3** CETOP 3/NG6
- **** **16** = 3/8" BSP rear and side connectors
17 = 1/4" BSP rear and side connectors
- 00** No variant
- 1** Serial No.



Weight: 1,8 Kg - Fixing screws M5x40 UNI 5931

7