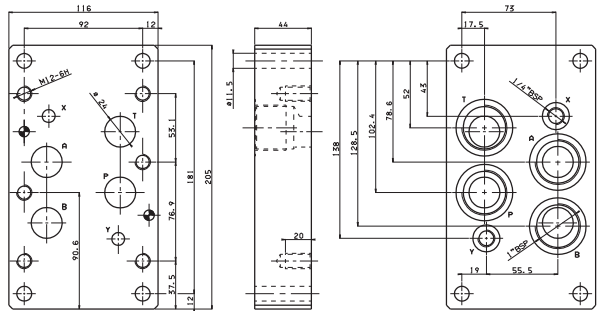


**1**

**BSH.8.13 WITH P, T AND A, B REAR 1" BSP**

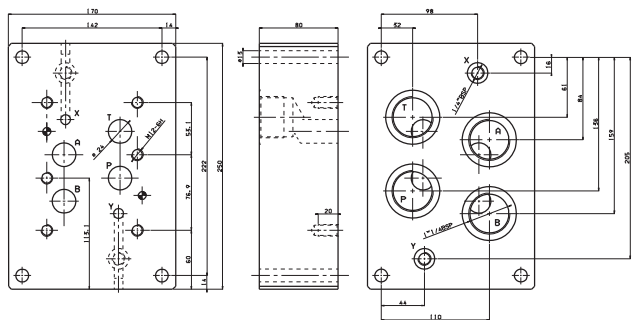
- BSH** Single plate for piloted valve
- 8** CETOP 8/NG25
- 13** 1" BSP rear connectors
- 00** No variant
- 1** Serial No.



Weight: 6,3 Kg - Fixing screws M10x60 UNI 5931

**BSH.8.13\* WITH P, T AND A, B REAR 1" 1/4 BSP OR 1" 1/2 BSP**

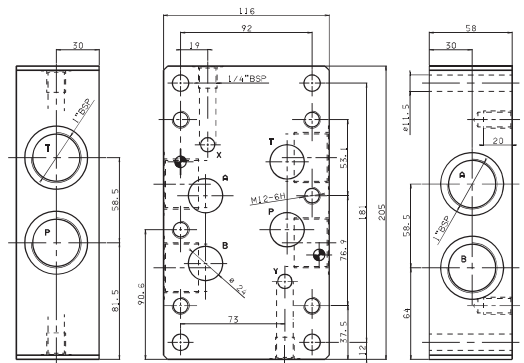
- BSH** Single plate for piloted valve
- 8** CETOP 8/NG25
- 13\*** **A** = 1" 1/4 BSP rear connectors  
**B** = 1" 1/2 BSP rear connectors
- 00** No variant
- 1** Serial No.



Weight: 21,7 Kg (BSH.8.13A) - Weight: 21,2 Kg (BSH.8.13B)  
Fixing screws M12x100 UNI 5931

**BSH.8.15 WITH T, P AND A, B SIDE 1" BSP**

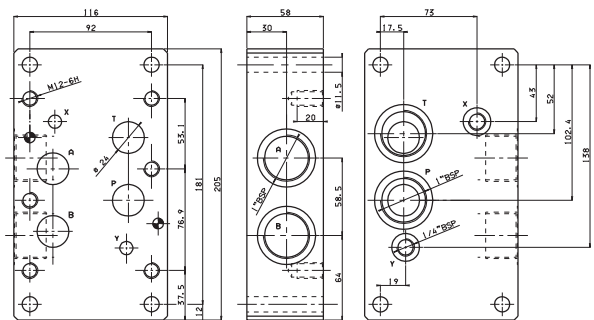
- BSH** Single plate for piloted valve
- 8** CETOP 8/NG25
- 15** 1" BSP side connectors
- 00** No variant
- 1** Serial No.



Weight: 8,2 Kg  
Fixing screws M10x75 UNI 5931

**BSH.8.17 WITH P AND T REAR, A AND B SIDE 1" BSP, X AND Y REAR**

- BSH** Single plate for piloted valve
- 8** CETOP 8/NG25
- 17** 1" BSP rear and side connectors
- 00** No variant
- 1** Serial No.



Weight: 8,3 Kg - Fixing screws M10x75 UNI 5931