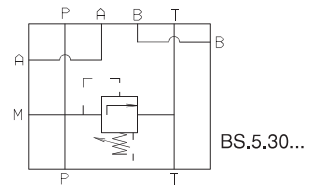
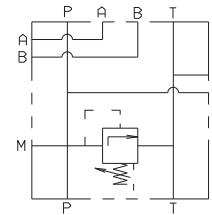


BS.5.30/31

- BS** Single subplate
- 5** CETOP 5/NG10
- \*\*** **30** = Connectors A and B side, P and T rear (all 3/4" BSP)  
**31** = Connectors A and B side, P and T rear (all 3/4" BSP)
- \*** **M** = Plastic knob  
**C** = Grub screw
- \*** Setting range  
**1** = max. 50 bar (**white spring**)  
**2** = max. 140 bar (**yellow spring**)  
**3** = max. 350 bar (**green spring**)
- 00** No variant
- 1** Serial No.



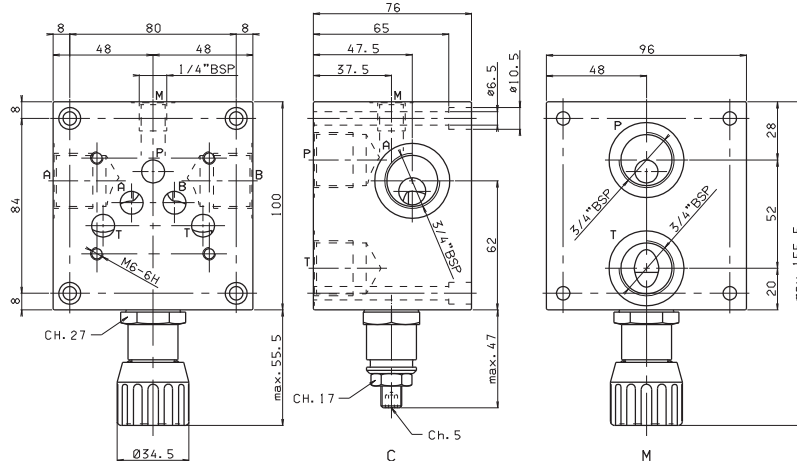
BS.5.30...



BS.5.31...

• The minimum permissible setting pressure depending on the spring:  
see cartridge valve type CMP,30...

BS.5.30 (CONNECTORS A AND B SIDE, P AND T REAR)



BS.5.31 (CONNECTORS A AND B SIDE, P AND T SIDE AND REAR)

