

## Technical data

### Electrical oil level indicators

LEN is a range of electrical fluid level indicators for monitoring of the fluid level into the tank.

They are directly fitted on the tank.

The float moves through the rod while the fluid level changes.

A magnet, fitted into the float, turns a reed sensor fixed into the rod.

### Available features:

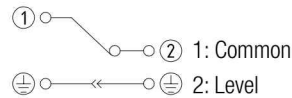
- G 1" male threaded or flanged connections
- Adjustable size on request, to meet every size of tank
- 1 or 2 floats, to monitor the minimum level, the maximum level or both of them.

### Common applications:

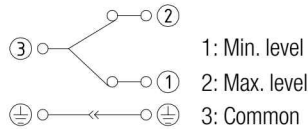
- Hydraulic systems
- Mobile machines
- Industrial equipment

### Electrical symbol:

LEN 1 Float



LEN 2 Floats



1: Min. level  
2: Max. level  
3: Common

**Note:** to invert the contact status from NC to NO and vice versa, simply invert the float.

### Materials

- Flange/Threaded body: Aluminium
- Tube: Brass, AISI 304 (on request)
- Float: Nylon foam, AISI 316 (on request)
- O-Ring: NBR
- Circlip: Phosphor bronze
- Contact: N.C. reed, N.O. (on request)

### Electrical data

- Protection rating: IP65
- Max switching capacity: 80 W
- Max switching current: 1 A
- Max switching voltage: 250 Vac
- Fluid specific gravity: > 0.75

### Temperature

From -15 °C to + 80 °C

### Weight

LEN 1 float 0.185 kg  
LEN 2 floats 0.230 kg

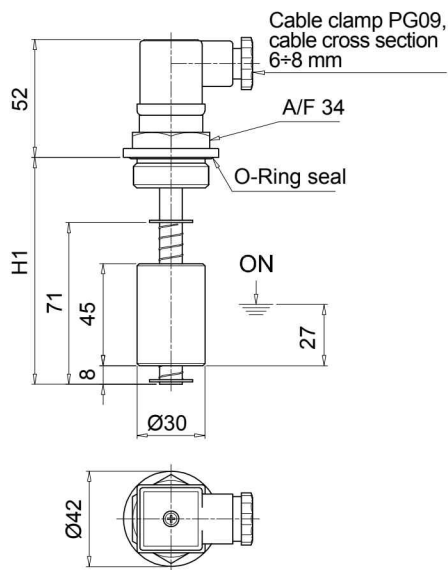


## Designation & Ordering code

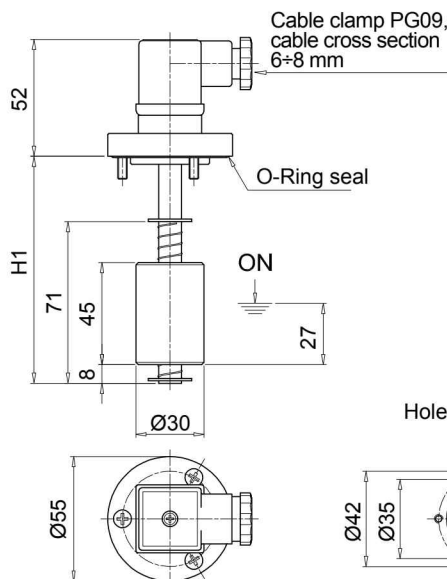
### LEN

Series	Configuration example :									
<b>LEN</b>	LEN	A	350	2	A	1	A	G	S	P01
<b>Tube material</b>										
<b>A</b> Brass										
<b>Length</b>										
<b>150   200   250   350   400   500</b>										
<b>Number of floats</b>	Length									
	150	200	250	350	400	500				
<b>1</b> Nr. 1 float	•	•	•	•	•	•				
<b>2</b> Nr. 2 floats		•	•	•	•	•				
<b>Float material</b>										
<b>A</b> Nylon foam										
<b>Electrical switch</b>										
<b>1</b> N.C. (Normally Closed)										
<b>Seals</b>										
<b>A</b> NBR										
<b>Connections to the tank</b>										
<b>G</b> Thread G 1"										
<b>F</b> Nr. 3 holes flange										
<b>Electrical connection</b>										
<b>S</b> DIN 43650 connector										
<b>Execution</b>										
<b>P01</b> MP Filtri standard										
<b>Pxx</b> Customized										

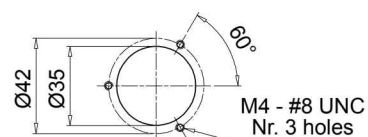
### Connection "G"



### Connection "F"



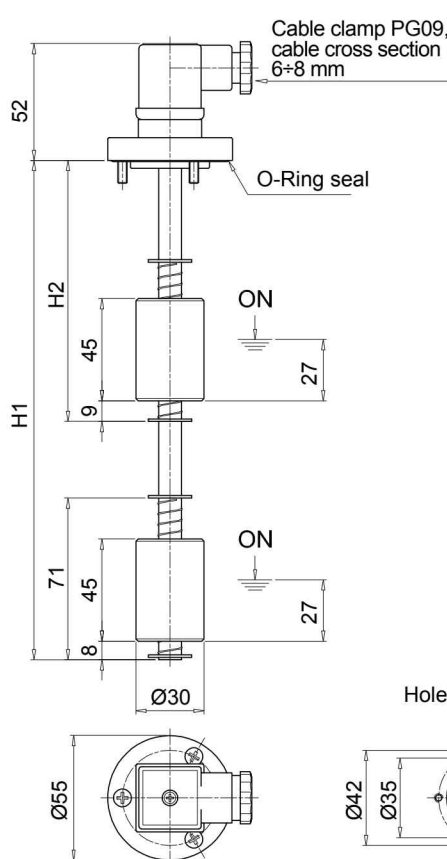
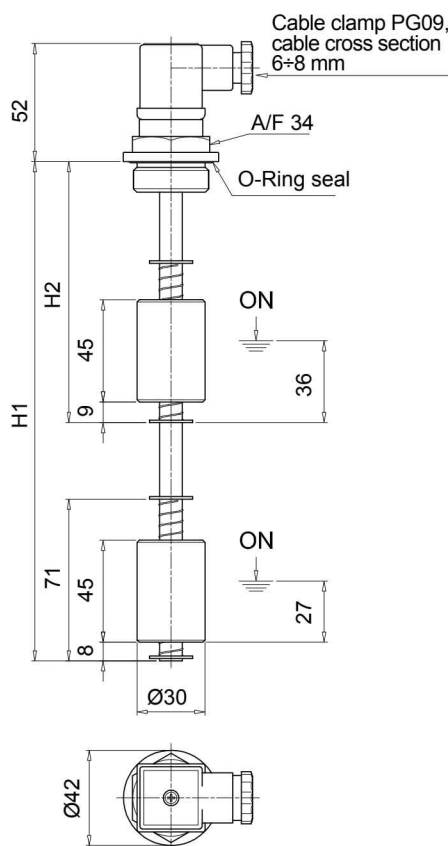
Holes on the tank



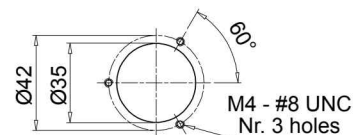
LEN

Nr. 1 float

Length	H1 [mm]
150	150
200	200
250	250
350	350
400	400
500	500



Holes on the tank



LEN

Nr. 2 floats

Length	H1 [mm]	H2 [mm]
200	200	95
250	250	105
350	350	115
400	400	115
500	500	125

Optional

### DIN 43650 CONNECTOR

#### Materials

- Flange: aluminum
- Rod: brass
- Float: nylon foam
- Seals: A= NBR - V= FPM

#### Temperature

From -15 °C to +80 °C

For temperatures outside this range, contact MP Filtri Technical and Sales Department