

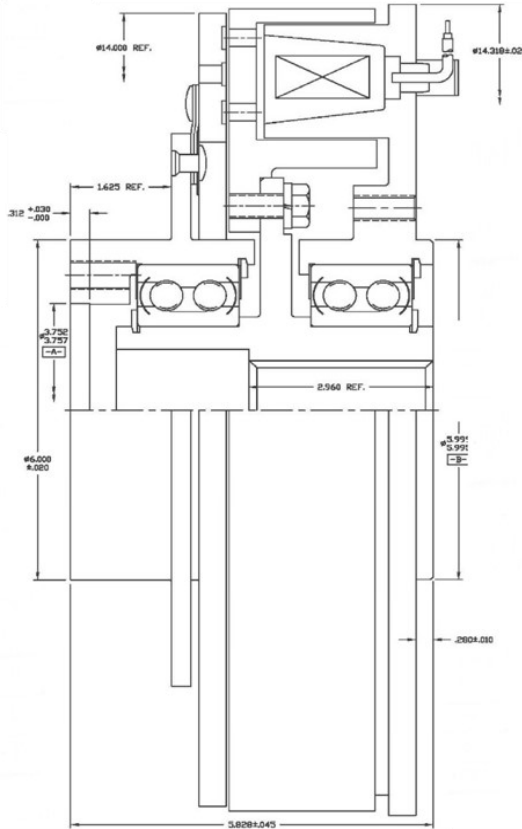


H55D1500 CLUTCH Hydraulic Pump Drive 12 or 24 Volt D.C. - Shaft Driven

Power
84 Watts

Max RPM
3000

Weight
118 Lbs.

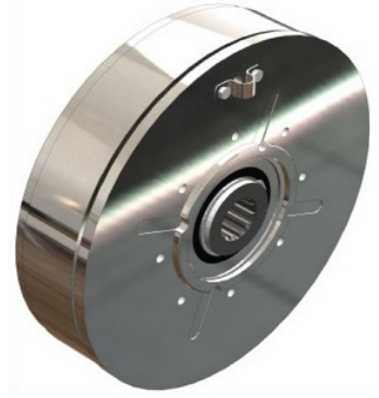


US Patent No. 4601378

Static Rated Torque - 1500 Lbs. Ft.

Inertia: Rotor Assy..... 4.43 Lb. Ft.²
 Armature Assy..... 2.47 Lb. Ft.²

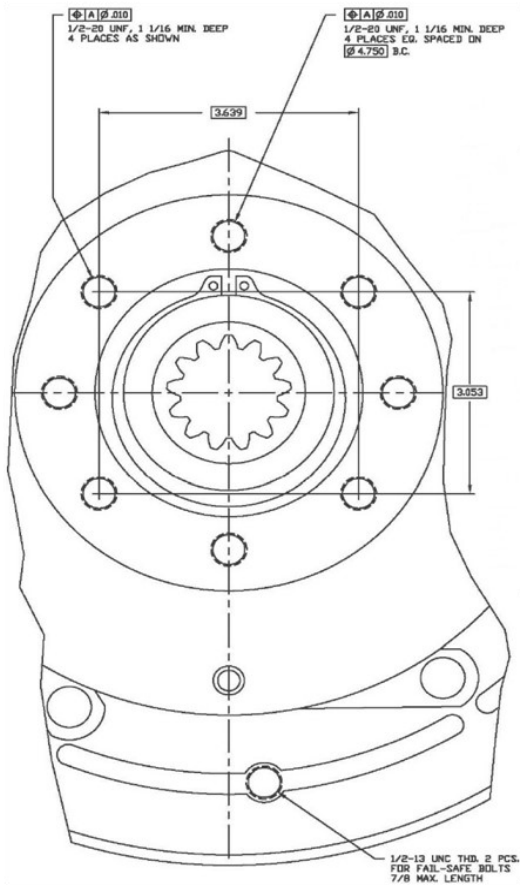
24 Volt - 3.5 Amp Part No.	12 Volt - 7 Amp Part No	For Pump Shaft Size	For Pump Mount Style	Pitts Mount Bracket
14154	14153	"D" Splined 1-3/4" 13T 8/16 DP	"D" 2-4	14219
14711	14710	1-3/8" With 3/8" Keyway		



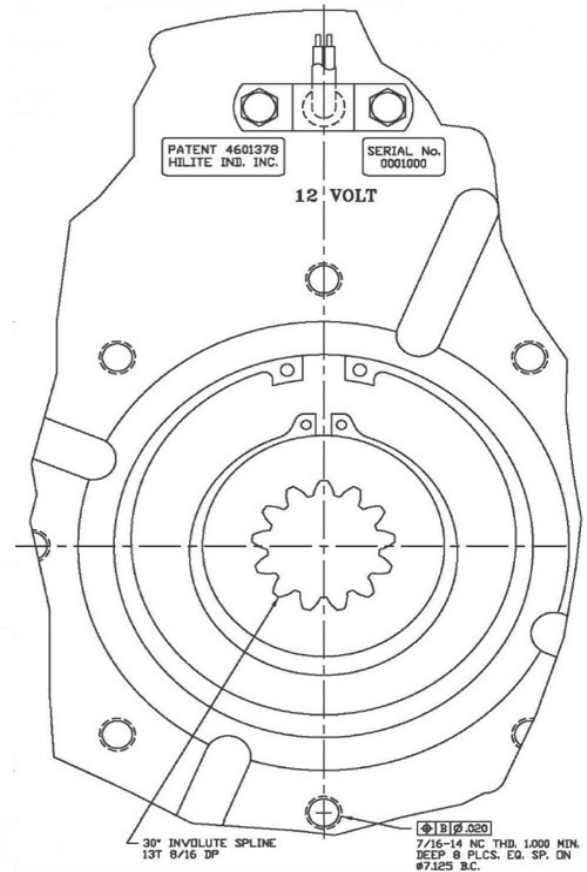
H55D1500 CLUTCH

Mounting Dimensions

Front View



Rear View



US Patent No. 4601378

Note:

- Drive flange bolt pattern and pilot diameter on clutch are dimensioned to correlate with "Spicer" type 1550 series drive shaft flange connections.
- Proper drive shaft selection is important. Consult with drive shaft manufacturers specifications for each specific application requirements.
- Drive shaft alignment must be within 3°.