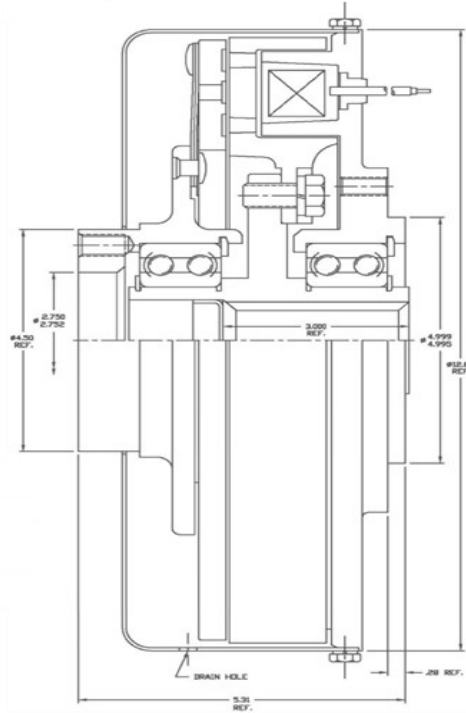


H49D1000 CLUTCH Hydraulic Pump Drive 12 or 24 Volt D.C. - Shaft Driven

Power
91 Watts

Max RPM
3000

Weight
76 Lbs.

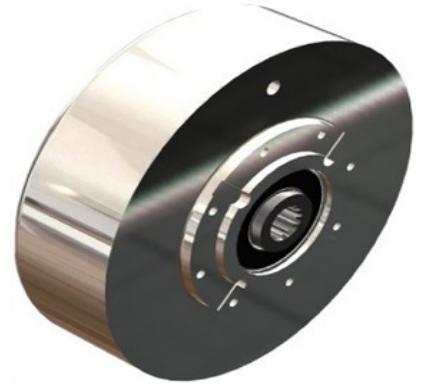


US Patent No. 4601378

Static Rated Torque - 1000 Lbs. Ft.

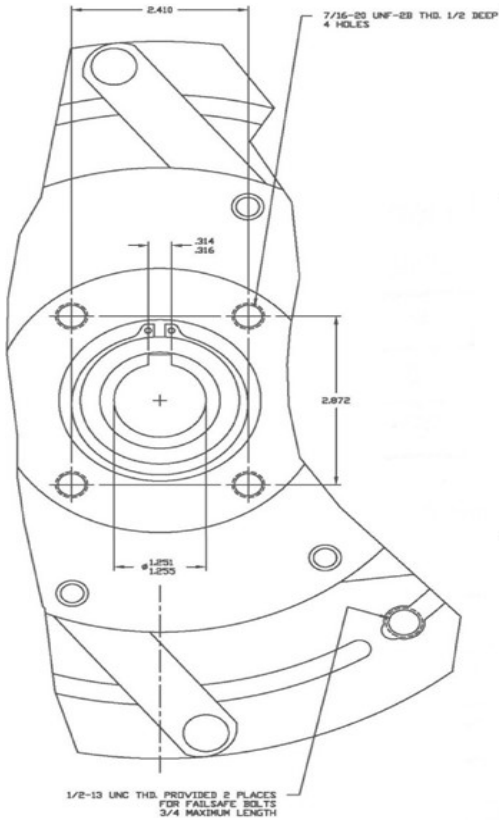
Inertia: Rotor Assy..... 2.76 Lb. Ft.²
 Armature Assy..... 1.88 Lb. Ft.²

24 Volt - 4 Amp Part No.	12 Volt - 8 Amp Part No	For Pump Shaft Size	For Pump Mount Style	Pitts Mount Bracket
13902	13635	"C" Splined 1-1/4" 14T 12/24 DP	"C" 2-4	13256
14144	13557	"C" 1-1/4" With 5/16" Keyway	"B" 2-4	13258

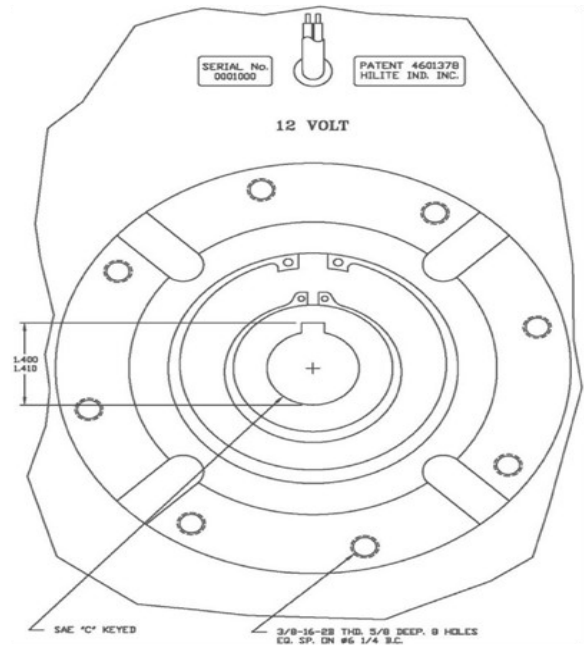


H49D1000 CLUTCH
Mounting Dimensions

Front View



Rear View



US Patent No. 4601378

Note:

- Drive flange bolt pattern and pilot diameter on clutch are dimensioned to correlate with "Spicer" type 1410 series drive shaft flange connections.
- Proper drive shaft selection is important. Consult with drive shaft manufacturers specifications for each specific application requirements.
- Drive shaft alignment must be within 3°.