

HNV stainless steel

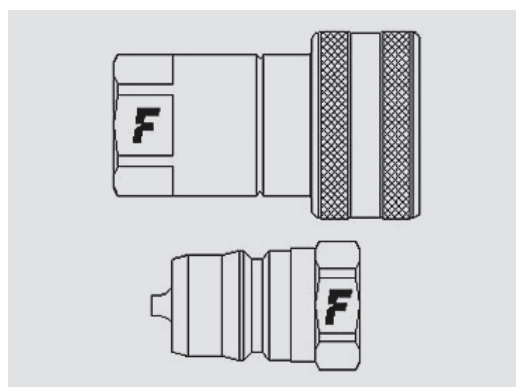


Standard couplings for industrial applications, ISO 7241-B interchange, stainless steel versions

Standard couplings for industrial applications with stainless steel components (AISI 316) and Viton seals. ISO 7241 part B interchange.



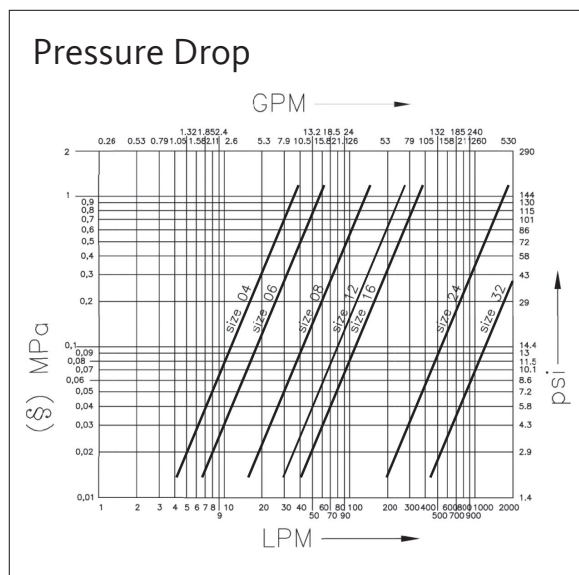
Applications

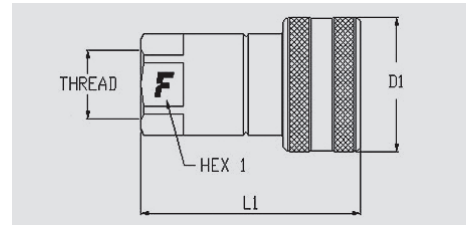


Technical Specifications

dash	Size mm	inch	Working Pressure (MPa)	Flow Rate (l/min)	Spillage (ml)	Force to Connect (N)	Burst pressure (MPa)		
							Male	Female	Male + Female
04	6,3	1/4"	35	14	1	65	140	200	200
06	10	3/8"	27	27	1,5	85	110	110	160
08	12,5	1/2"	32	60	2,8	97	150	130	130
12	20	3/4"	25	110	10	120	100	100	165
16	25	1"	21	150	13	180	84	90	100
24	37,5	1-1/2"	14	750	80	185	56	56	60
32	50	2"	9	1600	160	160	38	40	45

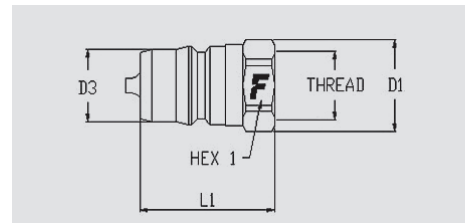
Material	Stainless Steel
Seals	VITON
Working temperatures	- 20 °C to + 200 °C
Surface treatment	
Series Interchange	ISO 7241-B
Valve Type	Poppet
Connection	Sleeve Retraction
Disconnection	Sleeve Retraction
Connection Under Pressure	Not Allowed





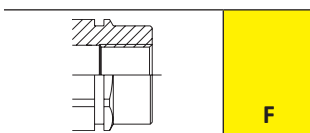
HNV stainless steel

Size		Thread details			FEMALE						
inch	mm	Thread Type	Standard	Thread	Part Number	L (L1 + Thread)		D1		HEX1	
						mm	inch	mm	inch	mm	inch
1/4"	6,3	F BSPP	ISO 1179-1	BSPP 1/4 FEMALE	HNV 14 GAS F 2V	56	2,2	28	1,1	19	0,75
1/4"	6,3	F NPTF	ANSI B1.20.3	NPTF 1/4 FEMALE	HNV 14 NPT F 2V	56	2,2	28	1,1	19	0,75
3/8"	10	F BSPP	ISO 1179-1	BSPP 3/8 FEMALE	HNV 38 GAS F 2V	64	2,52	35	1,38	24	0,94
3/8"	10	F NPTF	ANSI B1.20.3	NPTF 3/8 FEMALE	HNV 38 NPT F 2V	64	2,52	35	1,38	24	0,94
1/2"	12,5	F BSPP	ISO 1179-1	BSPP 1/2 FEMALE	HNV 12 GAS F 2V	71,5	2,81	44	1,73	30	1,18
1/2"	12,5	F NPTF	ANSI B1.20.3	NPTF 1/2 FEMALE	HNV 12 NPT F 2V	71,5	2,81	44	1,73	27	1,06
3/4"	20	F BSPP	ISO 1179-1	BSPP 3/4 FEMALE	HNV 34 GAS F 2V	89	3,5	52	2,05	36	1,42
3/4"	20	F NPTF	ANSI B1.20.3	NPTF 3/4 FEMALE	HNV 34 NPT F 2V	89	3,5	52	2,05	36	1,42
1"	25	F BSPP	ISO 1179-1	BSPP 1 FEMALE	HNV 1 GAS F 2V	106,3	4,19	60	2,36	41	1,61
1"	25	F NPTF	ANSI B1.20.3	NPTF 1 FEMALE	HNV 1 NPT F 2V	106	4,17	60	2,36	41	1,61
1-1/2"	37,5	F BSPP	ISO 1179-1	BSPP 1-1/4 FEMALE	HNV112-114G F2V	126	4,96	75	2,95	65	2,56
1-1/2"	37,5	F NPTF	ANSI B1.20.3	NPTF 1-1/2 FEMALE	HNV112 NPT F 2V	126,3	4,97	75	2,95	65	2,56
1-1/2"	37,5	F NPTF	ANSI B1.20.3	NPTF 1-1/4 FEMALE	HNV112-114N F2V	126	4,96	75	2,95	65	2,56
2"	50	F BSPP	ISO 1179-1	BSPP 2 FEMALE	HNV 2 GAS F 2V	142	5,59	105	4,13	89	3,5
2"	50	F NPTF	ANSI B1.20.3	NPTF 2 FEMALE	HNV 2 NPT F 2V	142	5,59	105	4,13	89	3,5



HNV stainless steel

Size		Thread details			MALE								
inch	mm	Thread Type	Standard	Thread	Part Number	L (L1 + Thread)		D1		D3		HEX1	
						mm	inch	mm	inch	mm	inch	mm	inch
1/4"	6,3	F BSPP	ISO 1179-1	BSPP 1/4 FEMALE	HNV 14 GAS M 2V	35	1,38	21	0,83	14,1	0,56	19	0,75
1/4"	6,3	F NPTF	ANSI B1.20.3	NPTF 1/4 FEMALE	HNV 14 NPT M 2V	35	1,38	21	0,83	14,1	0,56	19	0,75
3/8"	10	F BSPP	ISO 1179-1	BSPP 3/8 FEMALE	HNV 38 GAS M 2V	39	1,54	24,5	0,96	19	0,75	22	0,87
3/8"	10	F NPTF	ANSI B1.20.3	NPTF 3/8 FEMALE	HNV 38 NPT M 2V	39	1,54	24,5	0,96	19	0,75	22	0,87
1/2"	12,5	F BSPP	ISO 1179-1	BSPP 1/2 FEMALE	HNV 12 GAS M 2V	44	1,73	30	1,18	23,5	0,93	27	1,06
1/2"	12,5	F NPTF	ANSI B1.20.3	NPTF 1/2 FEMALE	HNV 12 NPT M 2V	44	1,73	30	1,18	23,5	0,93	27	1,06
3/4"	20	F BSPP	ISO 1179-1	BSPP 3/4 FEMALE	HNV 34 GAS M 2V	55	2,17	38	1,5	31,5	1,24	34	1,34
3/4"	20	F NPTF	ANSI B1.20.3	NPTF 3/4 FEMALE	HNV 34 NPT M 2V	55	2,17	38	1,5	31,5	1,24	34	1,34
1"	25	F BSPP	ISO 1179-1	BSPP 1 FEMALE	HNV 1 GAS M 2V	66	2,6	45	1,77	37,8	1,49	41	1,61
1"	25	F NPTF	ANSI B1.20.3	NPTF 1 FEMALE	HNV 1 NPT M 2V	66	2,6	45	1,8	37,8	1,49	41	1,61
1-1/2"	37,5	F BSPP	ISO 1179-1	BSPP 1-1/4 FEMALE	HNV112-114G M2V	126	4,96	70	2,76	44,5	1,75	65	2,56
1-1/2"	37,5	F NPTF	ANSI B1.20.3	NPTF 1-1/2 FEMALE	HNV112 NPT M 2V	125	4,92	71	2,8	44,5	1,8	65	2,56
1-1/2"	37,5	F NPTF	ANSI B1.20.3	NPTF 1-1/4 FEMALE	HNV112-114N M2V	126	4,96	70	2,76	44,5	1,75	65	2,56
2"	50	F BSPP	ISO 1179-1	BSPP 2 FEMALE	HNV 2 GAS M 2V	142	5,59	97	3,82	63,2	2,49	89	3,5
2"	50	F NPTF	ANSI B1.20.3	NPTF 2 FEMALE	HNV 2 NPT M 2V	142	5,59	97	3,82	63,2	2,49	89	3,5



HNV stainless steel accessories

PVC dust caps



Plugs suitable for FEMALE



Caps suitable for MALE

Size			Plug Details		Size			Cap Details	
inch	mm	dash	Part number	Colour	inch	mm	dash	Part number	Colour
1/4"	6,3	04	TMH 14	red	1/4"	6,3	04	TFH 14	red
1/4"	6,3	04	TMH 14 N	black	1/4"	6,3	04	TFH 14 N	black
3/8"	10	06	TMH 38	red	3/8"	10	06	TFH 38	red
3/8"	10	06	TMH 38 A	orange	3/8"	10	06	TFH 38 A	orange
3/8"	10	06	TMH 38 B	blue	3/8"	10	06	TFH 38 B	blue
3/8"	10	06	TMH 38 G	yellow	3/8"	10	06	TFH 38 G	yellow
1/2"	12,5	08	TMH 12	red	3/8"	10	06	TFH 38 N	black
3/4"	20	12	TMH 34	red	1/2"	12,5	08	TFH 12	red
3/4"	20	12	TMH 34 N	black	3/4"	20	12	TFH 34	red
1"	25	16	TMH 1	red	3/4"	20	12	TFH 34 N	black
					1"	25	16	TFH 1	red

Aluminium dust caps



Plugs suitable for FEMALE



Caps suitable for MALE

Size			Plug Details		Size			Cap Details	
inch	mm	dash	Part number	Colour	inch	mm	dash	Part number	Colour
1/4"	6,3	04	TMH 14 S		1/4"	6,3	04	TFH 14 S	
1-1/2"	37,5	24	TMH112 S		1-1/2"	37,5	24	TFH112 S	
2"	50	32	TMH 2 S		2"	50	32	TFH 2 S	

Seal Kits



For Female

Size			Seal Details	
inch	mm	dash	Material	Part Number
1/4"	6,3	04	FKM; PTFE	SK HNV 14 V
3/8"	10	06	FKM; PTFE	SK HNV 38 V
1/2"	12,5	08	NBR; PTFE	SK HNV 12 V
3/4"	20	12	FKM; PTFE	SK HNV 34 V
1"	25	16	FKM; PTFE	SK HNV 1 V
1-1/2"	37,5	24	FKM	SK HNV 112 V
2"	50	32	FKM	SK HNV 2 V

Every seals kit is composed of 5 or 10 pcs.