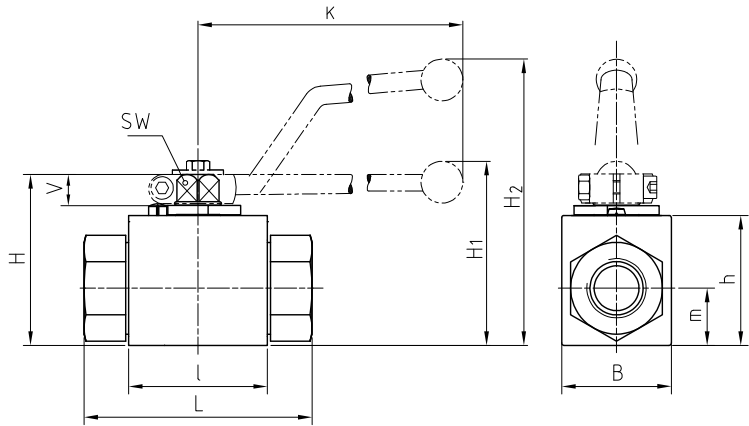


2-way ball valve Steel

BKH / BKHP420

Two-way



AVAILABLE SIZES

DN4 - DN25 (1/8" to 1")

CONNECTIONS

DIN ISO 228 Female thread, ANSI B1.20.1 NPT Female thread, DIN 2353/ISO 8434-1 Light / Heavy series, SAE J 514/ISO/DIS11926-1 Female thread, ISO 7/1 Rc Female thread, ISO 8434-3 ORFS Male thread, others on request

ACCESSORIES ON REQUEST &

- Locking devices page 226 - 229
- Actuators 224 - 225
- Mounting holes 17
- Position switches 232 - 233
- Combinations 188 - 190
- Detent on request

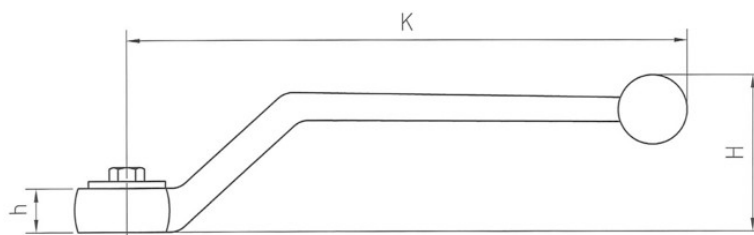
MATERIAL CODE DESCRIPTION

Materials	112A	1128
Body	Steel	Steel
Ball	Steel	Steel
Stem	Steel	Steel
Ball seats	POM	POM
O-rings	NBR	FPM
Tmin / Tmax	-20°C / 100°C	-20°C / 100°C

GENERAL DIMENSIONS

Type	l	B	H	h	m	V	SW	K	H ₁	H ₂	Lever
BKH-DN4	40	26	47	33	13,5	11	9	115	-	82	Zn
BKH-DN6	40	26	47	33	13,5	11	9	115	-	82	Zn
BKH-DN8	40	26	47	33	13,5	11	9	115	-	82	Zn
BKH-DN10	43	32	52	38	17,5	11	9	115	-	86	Zn
BKH-DN13	48	35	54	40	19	11	9	115	-	89	Zn
BKH-DN16	48	38	63	46	19	13	12	160	-	106	Al
BKH-DN20	62	49	75	57	24,5	14	14	200	79	-	Zn
BKH-DN25	66	58	83	65	29,5	14	14	200	87	-	Zn
BKHP420-DN25	74	70	88	70	34,5	14	14	200	92	-	Zn
BKH-DN25/32	66	58	83	65	29,5	14	14	200	87	-	Zn
BKH-DN25/40	66	58	83	65	29,5	14	14	200	87	-	Zn

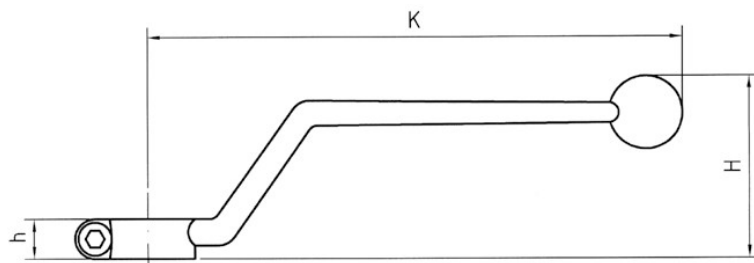
Bent levers Steel / Stainless Steel / Zinc / Aluminum



DIMENSIONS				ORDER CODE PER MATERIAL					
SW	K	n	H	weight [Kg]	Steel	weight [Kg]	Stainless Steel	weight [Kg]	Zinc
7	80	6,5	30	0,05	00196*			0,03	12603*
7	60	6,5	22			0,04	26305*		
9	115	8,7	45					0,09	15533* ⁽¹⁾
9	115	9	47	0,10	00063* ⁽¹⁾	0,10	14689* ⁽¹⁾		
14	171	12	64	0,25	08618* ⁽¹⁾				
14	160	12	48			0,20	49334* ⁽¹⁾		
17	306	16	89	0,70	14083*				
17	227,5	15	90			0,40	32962*		

⁽¹⁾ Article numbers include flow indicator for 2-way valves.
Article numbers for multiway valves on request

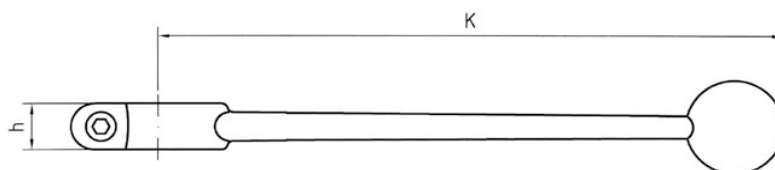
Accessories



DIMENSIONS				ORDER CODE PER MATERIAL	
SW	K	n	H	weight [Kg]	Aluminum
12	160	12	55	0,07	01741*

*Article usually in stock.

Straight levers Aluminum / Zinc



DIMENSIONS

ORDER CODE PER MATERIAL

SW	K	n	vweight [Kg]	Aluminum	vweight [Kg]	Zinc
9	155	10			0,09	03722*
9	150	11	0,06	00052*		
14	200	12	0,11	06745*		
14	200	13			0,22	02729*
17	320	16	0,26	01799*		

*Article usually in stock.

Accessories