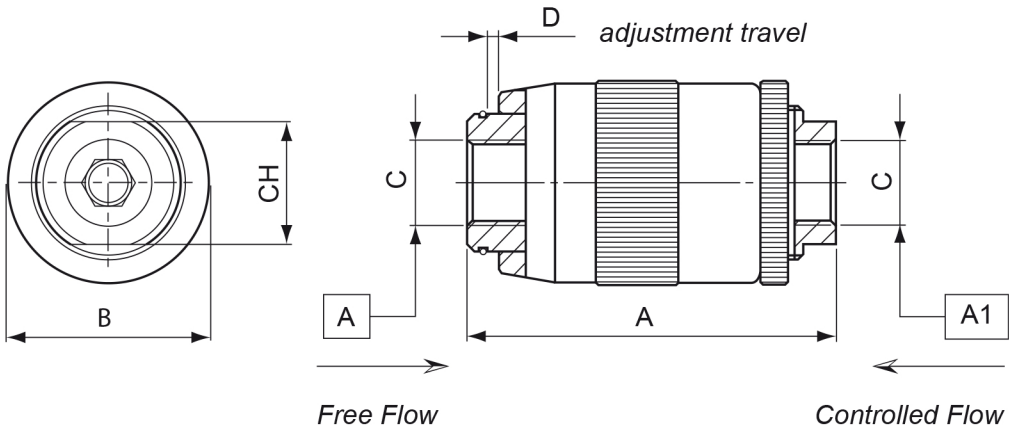


## Features

- FPMU series needle valves have body and internal parts manufactured from steel. The external surface is zinc plated.
- Rated flows up to 280 l/min.
- Maximum pressure to 350 bar, refer to table below for specific sizes.



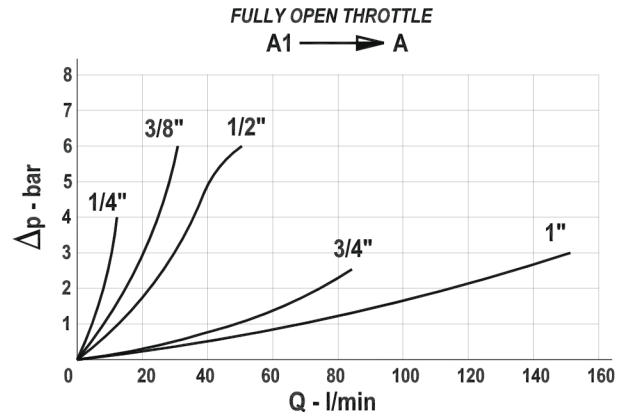
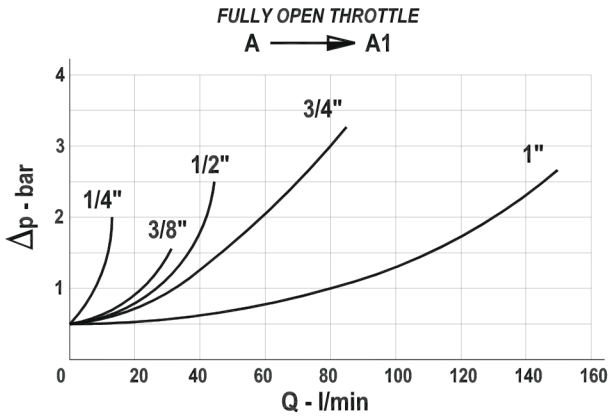
## Dimensional Details

Type	Max. Flow Rate	Max. Working Pressure	A mm	B mm	C BSP	D mm	CH mm	Weight Kg
FPMU14	12 LPM	350 BAR	62	34	1/4"	4.5	19	0.275
FPMU38	30 LPM	350 BAR	72	40	3/8"	5.5	24	0.430
FPMU12	45 LPM	310 BAR	80	46	1/2"	7	30	0.630
FPMU34	85 LPM	280 BAR	100	54	3/4"	10	36	1.050
FPMU1	150 LPM	250 BAR	125	65	1"	12	41	1.960
FPMU114	210 LPM	230 BAR	135	80	1-1/4"	-	55	3.500
FPMU112	280 LPM	230 BAR	150	90	1-1/2"	-	62	5.000

## Pressure Drop Curves

Oil viscosity 24 mm<sup>2</sup>/sec. (3.5°E)

Temperature 50°C



<b>FPMU</b>
Valve Series

-

<b>1/2</b>	
Port Size	
14	1/4" BSPP
38	3/8" BSPP
12	1/2" BSPP
34	3/4" BSPP
1	1" BSPP
114	1-1/4" BSPP
112	1-1/2" BSPP