



VMP.10...

CMP.10...

CH. V PAGE 19

VMP.10 MAXIMUM / DIRECT PRESSURE VALVES IN LINE MOUNTING



The maximum pressure valves VMP10 are direct actions units. Their use is essential for the limitation of hydraulic system pressure. In order to achieve more convenient calibration adjustment the whole pressure range (2÷320 bar) has been subdivided into 3 smaller bands, as shown in the ordering part number table. For each pressure band a different calibration spring is used, selected for the corresponding minimum operating pressure. The CMP10 cartridge is of direct acting type.

Max. pressure	320 bar	
Setting ranges:	Spring 0	max. 30 bar
	Spring 1	max. 50 bar
	Spring 2	max. 150 bar
	Spring 3	max. 320 bar
Max. flow	40 l/min	
Hydraulic fluids	mineral oils DIN 51524	
Fluid viscosity	10 ÷ 500 mm ² /s	
Fluid temperature	-25°C ÷ 75°C	
Ambient temperature	-25°C ÷ 60°C	
Max. contamination level	class 10 in accordance with NAS 1638 with filter β ₂₅ ≥ 75	
Weight	0,8 Kg	

• The minimum permissible setting pressure depending on the spring: see curves below

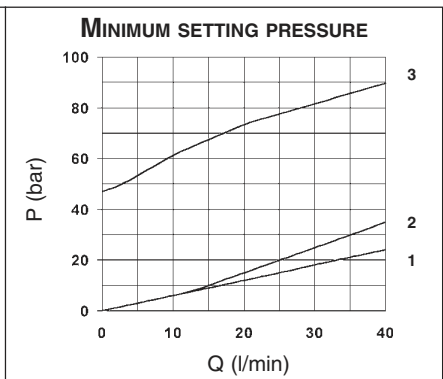
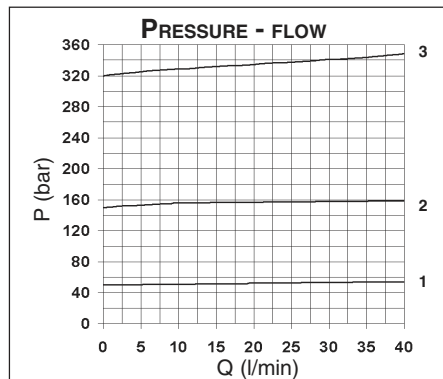
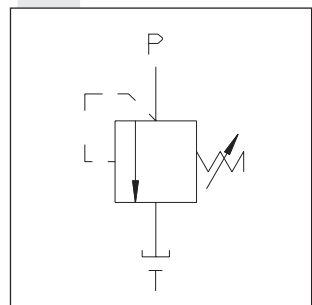
ORDERING CODE

VMP	Max. pressure valve
10	Connector size: 3/8" BSP
*	Type of adjustment M = Steel knob C = Grub screw V = Handwheel
*	Setting ranges 0 = max. 30 bar (without col.) 1 = max. 50 bar (white spring) 2 = max. 150 bar (yellow spring) 3 = max. 320 bar (green spring)
**	00 = No variant V1 = Viton
2	Serial No.

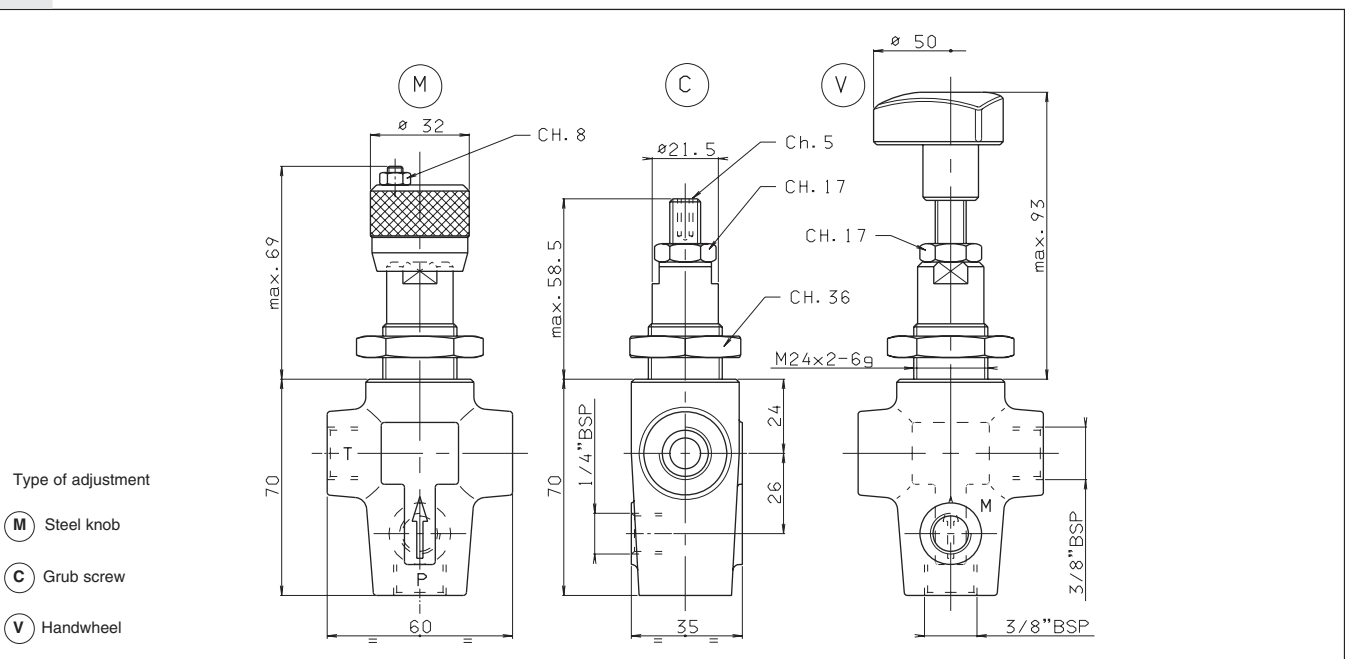
These direct action valves offer 2 important safety features for the systems where they are used:

- 1) A mechanical end of stroke stop prevents the user from setting pressure value higher than those specified in the catalogue (it is impossible to compress the spring completely);
- 2) In order to prevent temporary closure of port P in case of high pressure peaks, the adjustment pin is mechanically blocked at a fixed opening value.

HYDRAULIC SYMBOL



OVERALL DIMENSIONS



VMP.20 MAXIMUM / DIRECT PRESSURE VALVES IN LINE MOUNTING



VMP.20...

CMP.20...

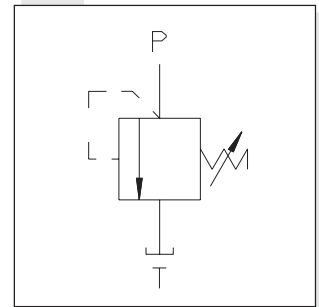
CH. V PAGE 20

The maximum pressure valves VMP20... are direct action units. Their use essential for the limitation of hydraulic system pressure. In order to achieve a more convenient calibration adjustment the whole pressure range (2÷250 bar) has been subdivided into 3 smaller bands, as shown in the ordering part number table. For each pressure band, a different calibration spring is used, selected for the corresponding minimum operating pressure. The CMP20 cartridge is of direct acting type.

Max. pressure	250 bar	
Setting range:	Spring 1	max. 30 bar
	Spring 2	max. 140 bar
	Spring 3	max. 250 bar
Max. flow	80 l/min	
Hydraulic fluids	Mineral oils DIN 51524	
Fluid viscosity	10 ÷ 500 mm ² /s	
Fluid temperature	-25°C ÷ 75°C	
ambient temperature	-25°C ÷ 60°C	
Max. contamination level	class 10 in accordance with NAS 1638 with filter $\beta_{25} \geq 75$	
Weight	1,7 Kg	

• The minimum permissible setting pressure depending on the spring: see curves below

HYDRAULIC SYMBOL



ORDERING CODE

VMP

Max. pressure valve

20

Connector size: 1/2" BSP

*

Type of adjustment

M = Steel knob

C = Grub screw

V = Handwheel

*

Setting ranges

1 = max. 30 bar (white spring)

2 = max. 140 bar (yellow spring)

3 = max. 250 bar (green spring)

**

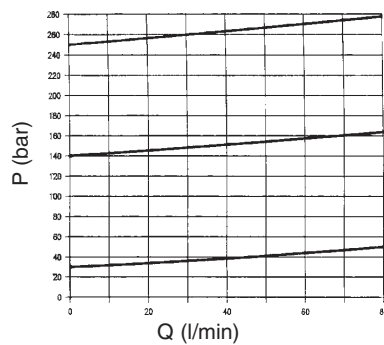
00 = No variant

V1 = Viton

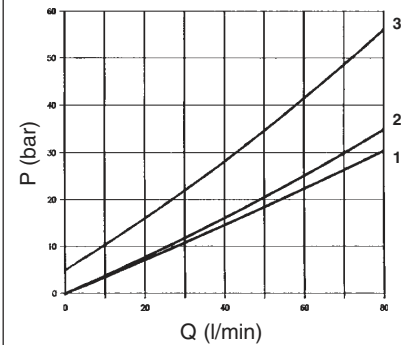
2

Serial No.

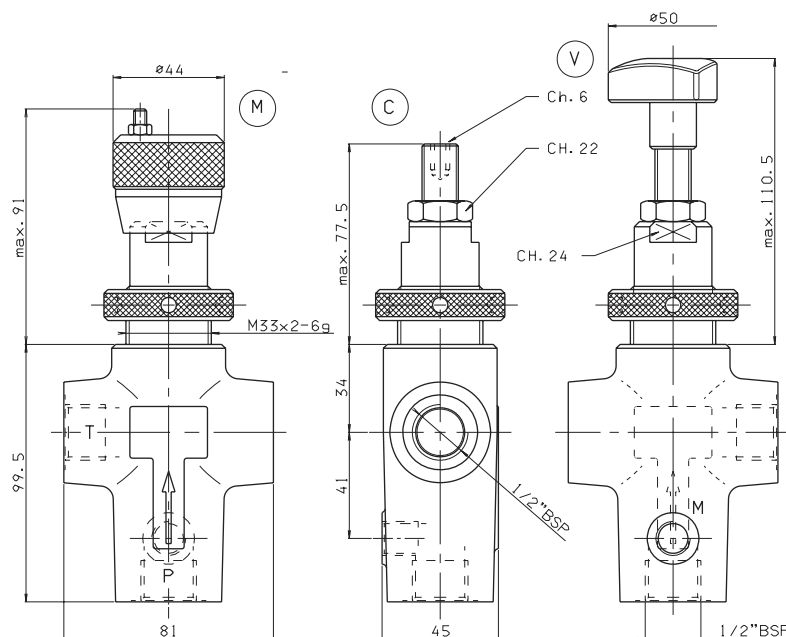
PRESSURE - FLOW



MINIMUM SETTING PRESSURE



OVERALL DIMENSIONS



Type adjustment

(M) Steel knob

(C) Grub screw

(V) Handwheel



VMP.30...

CMP.30...

CH. V PAGE 21

VMP.30 MAXIMUM PRESSURE / PILOTED VALVES IN LINE MOUNTING



The maximum pressure valves VMP30... are piloted action units.

Their use is essential for the limitation of hydraulic system pressure. In order to achieve a more convenient calibration adjustment the whole pressure range (7÷350 bar) has been subdivided into 3 smaller bands, as shown in the ordering part number table.

For each pressure band a different calibration spring is used, selected for the corresponding minimum operating pressure. The CMP30 cartridge is a piloted action unit.

These piloted action valves offer an important safety feature for the systems in which they are used: a mechanical end of stroke stop prevents the user from setting pressure values higher than those specified in the catalogue (it is impossible to compress the spring completely).

Max. operating pressure	350 bar	
Setting ranges:	Spring 1	max. 50 bar
	Spring 2	max. 140 bar
	Spring 3	max. 350 bar

Max. flow	100 l/min
Hydraulic fluids	Mineral oils DIN 51524
Fluid viscosity	10 ÷ 500 mm ² /s
Fluid temperature	-25°C ÷ 75°C
Ambient temperature	-25°C ÷ 60°C
Max. contamination level	class 10 in accordance with NAS 1638 with filter $\beta_{25} \geq 75$

Weight 1,4 Kg

• The minimum permissible setting pressure is the same for all springs: see curve below

ORDERING CODE

VMP

Max. pressure valve

30

Connector size: 3/4" BSP

*

Type of adjustment

M = Steel knob

C = Grub screw

V = Handwheel

*

Setting ranges

1 = max. 50 bar (white spring)

2 = max. 140 bar (yellow spring)

3 = max. 350 bar (green spring)

**

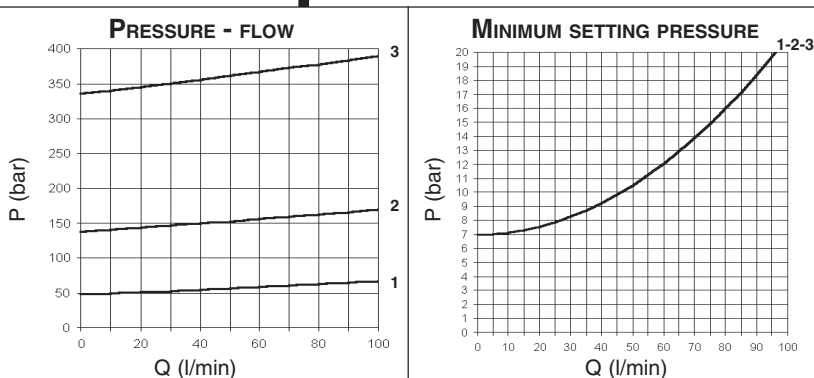
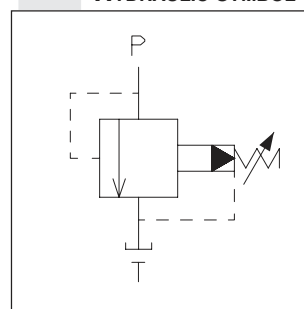
00 = No variant

V1 = Viton

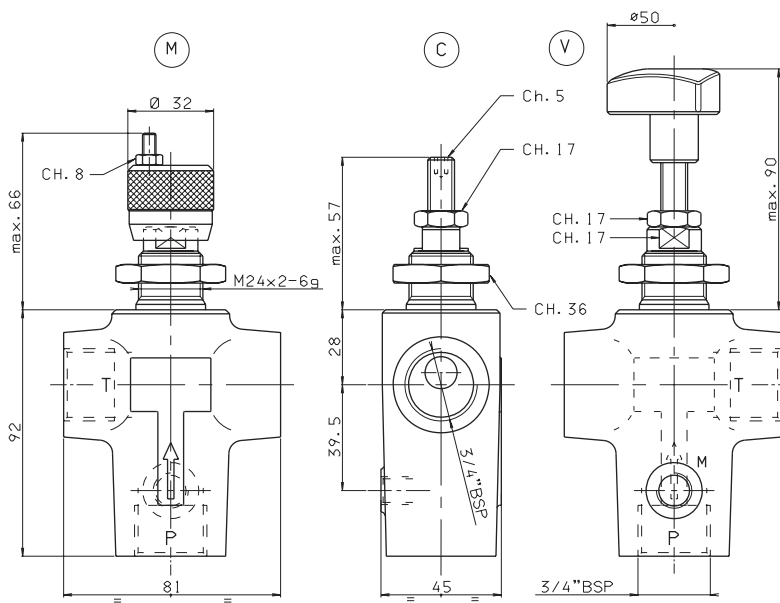
2

Serial No.

HYDRAULIC SYMBOL



OVERALL DIMENSIONS



Type of adjustment

(M) Steel knob

(C) Grub screw

(V) Handwheel