

AM.5.UP... MODULAR PILOT OPERATED CHECK VALVES CETOP 5



AM.5.UP...

SCREWS AND STUDS

CH. IV PAGE 35

AM5UP type modular check valves allow free flow in one direction by lifting a conical steel seated poppet, while in the opposite direction the fluid can return by means of a small piston piloted by the other line pressure (piloted side).

The cast valve body allows limited pressure drops during the fluid flow through the various P/A/B/T lines.

They are available on single A or B lines, and on double A and B lines (see hydraulic symbols).

Max. operating pressure	280 bar
Minimum opening pressure spring 1	1 bar
Minimum opening pressure spring 5	5 bar
Piloting ratio	1 : 14,3
Max. flow	80 l/min
Hydraulic fluids	Mineral oils DIN 51524
Fluid viscosity	10 ÷ 500 mm ² /s
Fluid temperature	-25°C ÷ 75°C
Ambient temperature	-25°C ÷ 60°C
Max. contamination level	class 10 in accordance with NAS 1638 with filter $\beta_{25} \geq 75$
Weight	2,7 Kg

ORDERING CODE

AM

Modular valve

5

CETOP 5/NG10

UP

Piloted check valve

**

Control on lines
A / B / AB

*

Minimum opening pressure
1 = 1 bar
5 = 5 bar

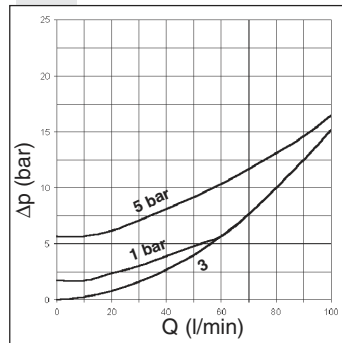
**

00 = No variant
V1 = Viton

5

Serial No.

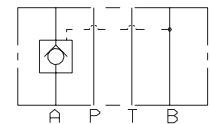
PRESSURE DROPS



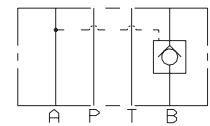
Curve n. 3 = Piloted side flow

The fluid used is a mineral oil with a viscosity of 46 mm²/s at 40°C. The tests have been carried out at a fluid temperature of 50°C.

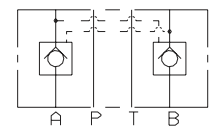
HYDRAULIC SYMBOLS



AM.5.UP.A

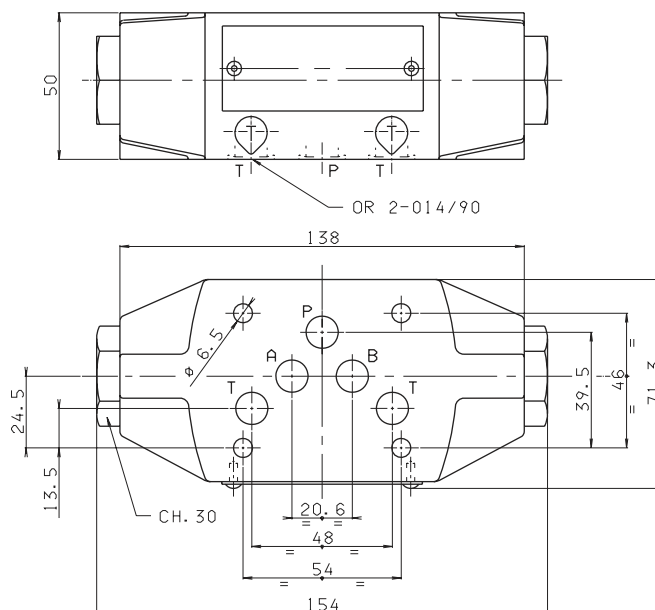


AM.5.UP.B



AM.5.UP.AB

OVERALL DIMENSIONS



Support plane specifications

