

# AM.3.VM... / AM.3.VI... MODULAR MAX. PRESSURE VALVES CETOP 3



**AM.3.VM / AM.3.VI...**

CMP.10... CH. V PAGE 19  
SCREWS AND STUDS CH. IV PAGE 21

AM.3.VM type pressure regulating valves are available with a pressure range of 2 ÷ 320 bar.

Adjustment is by means of a grub screw or a plastic knob.

Three basic versions are available:  
- AM3VM on single A or B lines, and on A and B lines, with drainage to T;  
- AM3VMP on single P line, with drainage to T;  
- AM3VI on single A or B lines, and on A and B lines, with crossed drainage on A or B (see hydraulic symbols).  
All versions can accept three types of springs with calibrated ranges as shown in the specifications.

Max. operating pressure	320 bar
Setting ranges:	spring 1 max. 50 bar spring 2 max. 150 bar spring 3 max. 320 bar
Max. flow	40 l/min
Hydraulic fluids	Mineral oils DIN 51524
Fluid viscosity	10 ÷ 500 mm <sup>2</sup> /s
Fluid temperature	-25°C ÷ 75°C
Ambient temperature	-25°C ÷ 60°C
Max. contamination level	class 10 in accordance with NAS 1638 with filter β <sub>25</sub> ≥ 75
Weight AM.3.VM.A/B/P...	1,2 Kg
Weight AM.3.VM.AB...	1,3 Kg
Weight AM.3.VI.A/B...	2 Kg
Weight AM.3.VI.AB...	2,2 Kg

The cartridge, which is the same for all versions, is the direct acting type CMP10.

**For the minimum permissible setting pressure depending on the spring, see minimum pressure setting curve.**

## ORDERING CODE

**AM**

Modular valve

**3**

CETOP 3/NG6

**\*\***

**VM** = Maximum pressure  
**VI** = Maximum pressure crossline

**\*\***

Adjustment on the lines  
AM.3.VM Version = **A / B / P / AB**  
AM.3.VI Version = **A / B / AB**

**\***

Type of adjustment  
**M** = Plastic knob  
**C** = Grub screw

**\***

Setting ranges at port A/B/P  
**1** = max. 50 bar (**white spring**)  
**2** = max. 150 bar (**yellow spring**)  
**3** = max. 320 bar (**green spring**)

**\***

Setting ranges at port B  
(Omit if the setting is same as that at port A)  
**1** = max. 50 bar (**white spring**)  
**2** = max. 150 bar (**yellow spring**)  
**3** = max. 320 bar (**green spring**)

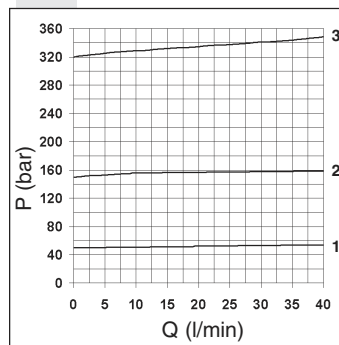
**\*\***

**00** = No variant  
**V1** = Viton

**3**

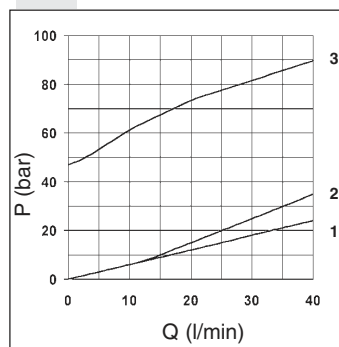
Serial No.

## PRESSURE - FLOW RATE

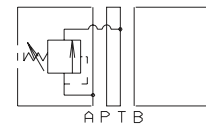


Curves n° 1 - 2 - 3 = setting ranges

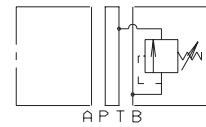
## MINIMUM SETTING PRESSURE



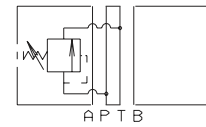
## HYDRAULIC SYMBOLS



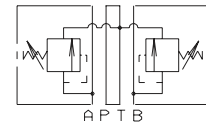
AM.3.VM.A



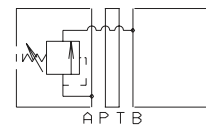
AM.3.VM.B



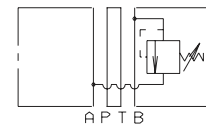
AM.3.VM.P



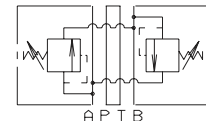
AM.3.VM.AB



AM.3.VI.A



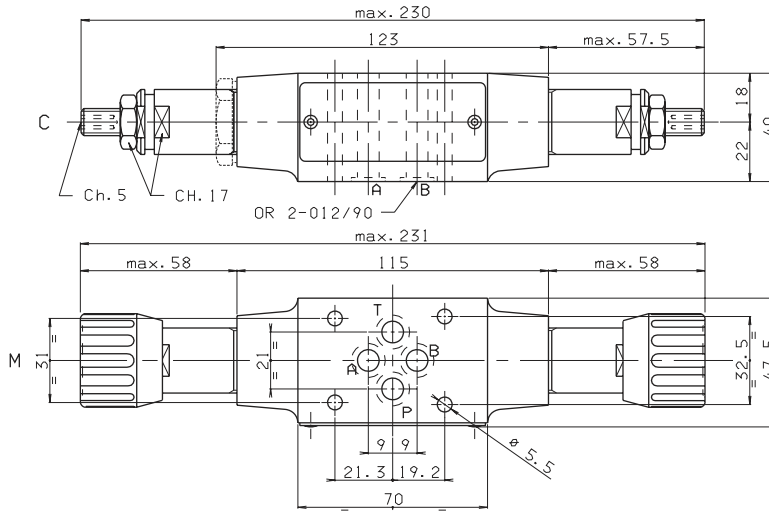
AM.3.VI.B



AM.3.VI.AB

OVERALL DIMENSIONS

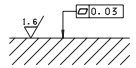
AM.3.VM.AB...



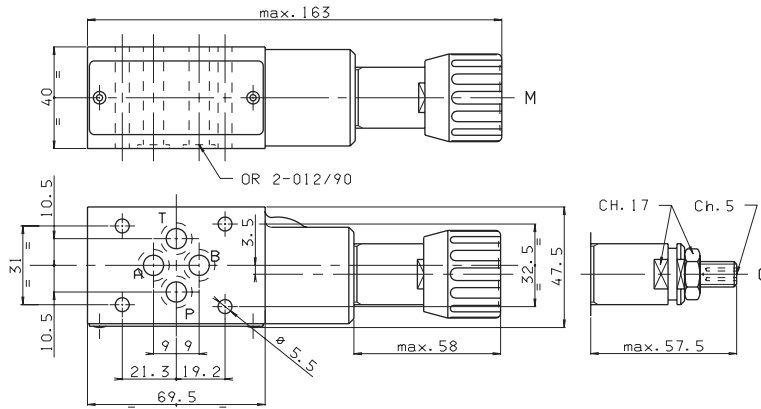
Type of adjustment

- M Plastic knob
- C Grub screw

Support plane specifications



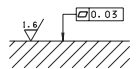
AM.3.VM.P...



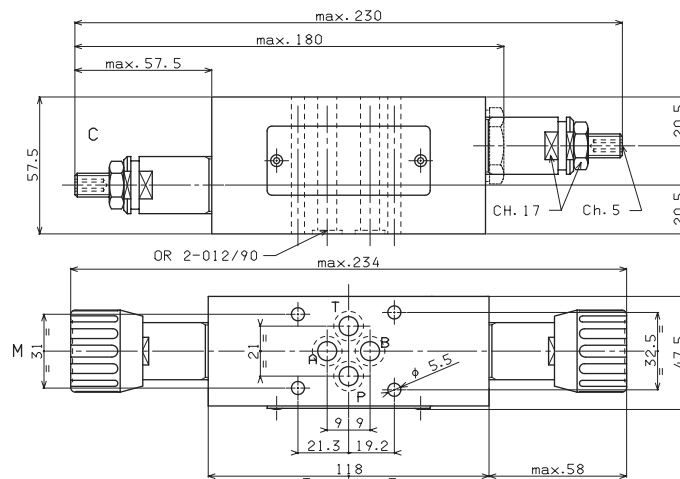
Type of adjustment

- M Plastic knob
- C Grub screw

Support plane specifications



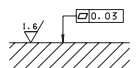
AM.3.VI.AB...



Type of adjustment

- M Plastic knob
- C Grub screw

Support plane specifications



4