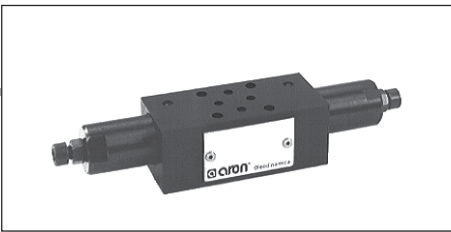


AM.2.VM... MODULAR MAXIMUM PRESSURE VALVES CETOP 2



AM.2.VM...	
CMP.02...	CH. V PAGE 17
SCREWS AND STUDS	CH. IV PAGE 6

AM.2.VM type pressure regulating valves are available with an operating pressure range of 4 to 250 bar.

Adjustment is via a grub screw. Two base versions are available: **AM.2.VM..** single on A or B, and double on A and B lines, with drainage on T; **AM.3.VM.P..** single on P line, with drainage on T.

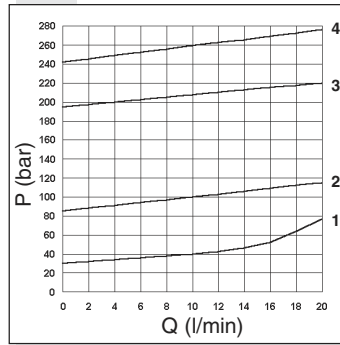
4 different types of springs can be mounted on all versions, with the adjustment range specified in the specifications. The cartridge used is the CMP.02 type.

Max. operating pressure	250 bar
Setting ranges:	
spring 1	30 bar
spring 2	90 bar
spring 3	180 bar
spring 4	250 bar
Max. flow	20 l/min
Hydraulic fluids	Mineral oils DIN 51524
Fluid viscosity	10 ÷ 500 mm ² /s at 50°C
Fluid temperature	-20°C ÷ 75°C
Max. contamination level	class 10 in accordance with NAS 1638 with filter $\beta_{25} \geq 75$
Weight AM.2.VM.A/B/P...	0,53 Kg
Weight AM.2.VM.AB...	0,7 Kg

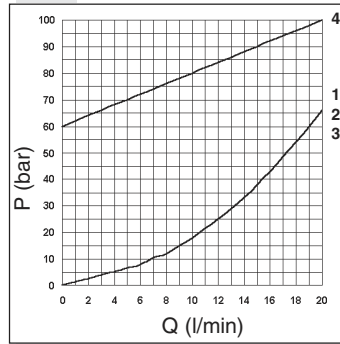
ORDERING CODE

AM	Modular valve
2	CETOP 2/NG4
VM	Max. pressure valves
**	Adjustment on the lines A / B / P / AB
C	Type of adjustment grub screw
*	Setting ranges at port A/B/P 1 = max.30 bar (white spring) 2 = max.90 bar (yellow spring) 3 = max.180 bar (green spring) 4 = max.250 bar (orange spring)
*	Setting ranges at port B (Omit if the setting is same as that at port A) 1 = max.30 bar (white spring) 2 = max.90 bar (yellow spring) 3 = max.180 bar (green spring) 4 = max.250 bar (orange spring)
**	00 = No variant V1 = Viton
1	Serial No.

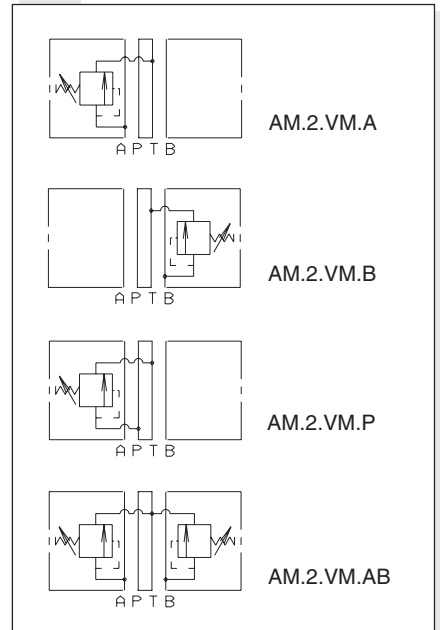
PRESSURE - FLOW RATE



MINIMUM SETTING PRESSURE



HYDRAULIC SYMBOLS



OVERALL DIMENSIONS

